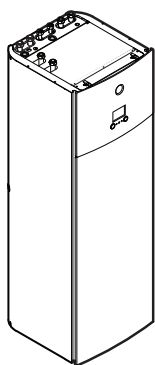




# Installation manual

## Daikin Altherma 3 H HT F



<https://daikintechnicaldatahub.eu>



ETVZ16S18E▲6V▼  
ETVZ16S23E▲6V▼  
ETVZ16S18E▲9W▼  
ETVZ16S23E▲9W▼

▲ = 1, 2, 3, ..., 9, A, B, C, ..., Z  
▼ = , , 1, 2, 3, ..., 9

Installation manual  
Daikin Altherma 3 H HT F

English

## Table of contents

<b>1</b>	<b>About this document</b>	<b>2</b>
<b>2</b>	<b>Specific installer safety instructions</b>	<b>3</b>
<b>3</b>	<b>About the box</b>	<b>4</b>
3.1	Indoor unit	4
3.1.1	To remove the accessories from the indoor unit	4
3.1.2	To handle the indoor unit	4
<b>4</b>	<b>Unit installation</b>	<b>4</b>
4.1	Preparing the installation site	4
4.1.1	Installation site requirements of the indoor unit	4
4.2	Opening and closing the unit	5
4.2.1	To open the indoor unit	5
4.2.2	To lower the switch box on the indoor unit	6
4.2.3	To close the indoor unit	6
4.3	Mounting the indoor unit	6
4.3.1	To install the indoor unit	6
4.3.2	To connect the drain hose to the drain	6
<b>5</b>	<b>Piping installation</b>	<b>7</b>
5.1	Preparing water piping	7
5.1.1	To check the water volume and flow rate	7
5.2	Connecting water piping	8
5.2.1	To connect the water piping	8
5.2.2	To connect the recirculation piping	9
5.2.3	To fill the water circuit	9
5.2.4	To protect the water circuit against freezing	9
5.2.5	To fill the domestic hot water tank	10
5.2.6	To insulate the water piping	10
<b>6</b>	<b>Electrical installation</b>	<b>11</b>
6.1	About electrical compliance	11
6.2	Guidelines when connecting the electrical wiring	11
6.3	Connections to the indoor unit	11
6.3.1	To connect the main power supply	12
6.3.2	To connect the backup heater power supply	13
6.3.3	To connect the shut-off valve	14
6.3.4	To connect the electricity meters	15
6.3.5	To connect the domestic hot water pump	15
6.3.6	To connect the alarm output	16
6.3.7	To connect the space cooling/heating ON/OFF output	16
6.3.8	To connect the changeover to external heat source	17
6.3.9	To connect the power consumption digital inputs	17
6.3.10	To connect the safety thermostat (normally closed contact)	18
6.3.11	To connect a Smart Grid	19
6.3.12	To connect the WLAN cartridge (delivered as accessory)	21
6.4	After connecting the electrical wiring to the indoor unit	21
<b>7</b>	<b>Configuration</b>	<b>21</b>
7.1	Overview: Configuration	21
7.1.1	To access the most used commands	22
7.2	Configuration wizard	22
7.2.1	Configuration wizard: Language	22
7.2.2	Configuration wizard: Time and date	22
7.2.3	Configuration wizard: System	23
7.2.4	Configuration wizard: Backup heater	24
7.2.5	Configuration wizard: Main zone	24
7.2.6	Configuration wizard: Additional zone	25
7.2.7	Configuration wizard: Tank	26
7.3	Weather-dependent curve	26
7.3.1	What is a weather-dependent curve?	26
7.3.2	2-points curve	27
7.3.3	Slope-offset curve	27

7.3.4	Using weather-dependent curves	28
7.4	Settings menu	28
7.4.1	Main zone	28
7.4.2	Additional zone	29
7.4.3	Information	29
7.5	Menu structure: Overview installer settings	30
<b>8</b>	<b>Commissioning</b>	<b>31</b>
8.1	Checklist before commissioning	31
8.2	Checklist during commissioning	31
8.2.1	To check the minimum flow rate	32
8.2.2	To perform an air purge	32
8.2.3	To perform an operation test run	32
8.2.4	To perform an actuator test run	32
8.2.5	To perform an underfloor heating screed dryout	33
<b>9</b>	<b>Hand-over to the user</b>	<b>33</b>
<b>10</b>	<b>Technical data</b>	<b>33</b>
10.1	Piping diagram: Indoor unit	34
10.2	Wiring diagram: Indoor unit	35

## 1 About this document



### INFORMATION

This unit is a heating only model. Therefore, all references to cooling in this document are NOT applicable.

### Target audience

Authorised installers

### Documentation set

This document is part of a documentation set. The complete set consists of:

- **General safety precautions:**
  - Safety instructions that you must read before installing
  - Format: Paper (in the box of the indoor unit)
- **Operation manual:**
  - Quick guide for basic usage
  - Format: Paper (in the box of the indoor unit)
- **User reference guide:**
  - Detailed step-by-step instructions and background information for basic and advanced usage
  - Format: Digital files on <https://www.daikin.eu>. Use the search function 🔍 to find your model.
- **Installation manual – Outdoor unit:**
  - Installation instructions
  - Format: Paper (in the box of the outdoor unit)
- **Installation manual – Indoor unit:**
  - Installation instructions
  - Format: Paper (in the box of the indoor unit)
- **Installer reference guide:**
  - Preparation of the installation, good practices, reference data, ...
  - Format: Digital files on <https://www.daikin.eu>. Use the search function 🔍 to find your model.
- **Addendum book for optional equipment:**
  - Additional info about how to install optional equipment
  - Format: Paper (in the box of the indoor unit) + Digital files on <https://www.daikin.eu>. Use the search function 🔍 to find your model.

## 2 Specific installer safety instructions

Latest revisions of the supplied documentation may be available on the regional Daikin website or via your dealer.

The original documentation is written in English. All other languages are translations.

### Technical engineering data

- A **subset** of the latest technical data is available on the regional Daikin website (publicly accessible).
- The **full set** of latest technical data is available on the Daikin Business Portal (authentication required).

### Online tools

In addition to the documentation set, some online tools are available for installers:

- **Daikin Technical Data Hub**
  - Central hub for technical specifications of the unit, useful tools, digital resources, and more.
  - Publicly accessible via <https://daikintechnicaldatahub.eu>.
- **Heating Solutions Navigator**
  - Digital toolbox that offers a variety of tools to facilitate the installation and configuration of heating systems.
  - To access Heating Solutions Navigator, registration to the Stand By Me platform is required. For more information, see <https://professional.standbyme.daikin.eu>.
- **Daikin e-Care**
  - Mobile app for installers and service technicians that allows you to register, configure and troubleshoot heating systems.
  - The mobile app can be downloaded for iOS and Android devices using the QR codes below. Registration to the Stand By Me platform is required to access the app.

App Store

Google Play



## 2 Specific installer safety instructions



### INFORMATION

This unit is a heating only model. Therefore, all references to cooling in this document are NOT applicable.

Always observe the following safety instructions and regulations.

**Installation site (see "4.1 Preparing the installation site" [p 4])**



### WARNING

Follow the service space dimensions in this manual for correct installation of the unit. See "4.1.1 Installation site requirements of the indoor unit" [p 4].

**Opening and closing the unit (see "4.2 Opening and closing the unit" [p 5])**



**DANGER: RISK OF ELECTROCUTION**



**DANGER: RISK OF BURNING/SCALDING**

**Mounting the indoor unit (see "4.3 Mounting the indoor unit" [p 6])**



### WARNING

Fixing method of the indoor unit **MUST** be in accordance with the instructions from this manual. See "4.3 Mounting the indoor unit" [p 6].

**Piping installation (see "5 Piping installation" [p 7])**



### WARNING

The field piping method **MUST** be in accordance with the instructions from this manual. See "5 Piping installation" [p 7].

In case of freeze protection by glycol:



### WARNING

Ethylene glycol is toxic.



### WARNING

Due to the presence of glycol, corrosion of the system is possible. Uninhibited glycol will turn acidic under the influence of oxygen. This process is accelerated by the presence of copper and high temperatures. The acidic uninhibited glycol attacks metal surfaces and forms galvanic corrosion cells that cause severe damage to the system. Therefore it is important that:

- the water treatment is correctly executed by a qualified water specialist,
- a glycol with corrosion inhibitors is selected to counteract acids formed by the oxidation of glycols,
- no automotive glycol is used because their corrosion inhibitors have a limited lifetime and contain silicates which can foul or plug the system,
- galvanized pipes are NOT used in glycol systems since the presence may lead to the precipitation of certain components in the glycol's corrosion inhibitor.

**Electrical installation (see "6 Electrical installation" [p 11])**



### DANGER: RISK OF ELECTROCUTION



### WARNING

Electrical wiring connection method **MUST** be in accordance with the instructions from:

- This manual. See "6 Electrical installation" [p 11].
- The wiring diagram, which is delivered with the unit, located on the inside of the indoor unit switch box cover. For a translation of its legend, see "10.2 Wiring diagram: Indoor unit" [p 35].



### WARNING

- All wiring **MUST** be performed by an authorised electrician and **MUST** comply with the applicable legislation.
- Make electrical connections to the fixed wiring.
- All components procured on-site and all electrical construction **MUST** comply with the applicable legislation.



### WARNING

**ALWAYS** use multicore cable for power supply cables.



### WARNING

If the supply cord is damaged, it **MUST** be replaced by the manufacturer, its service agent or similarly qualified persons in order to avoid a hazard.

### 3 About the box



#### CAUTION

Do NOT push or place redundant cable length into the unit.



#### WARNING

The backup heater **MUST** have a dedicated power supply and **MUST** be protected by the safety devices required by the applicable legislation.



#### CAUTION

To guarantee the unit is completely earthed, **ALWAYS** connect the backup heater power supply and the earth cable.



#### INFORMATION

Details of type and rating of fuses, or rating of circuit breakers are described in "6 Electrical installation" [p 11].

Commissioning (see "8 Commissioning" [p 31])



#### WARNING

Commissioning method **MUST** be in accordance with the instructions from this manual. See "8 Commissioning" [p 31].

### 3 About the box



#### INFORMATION

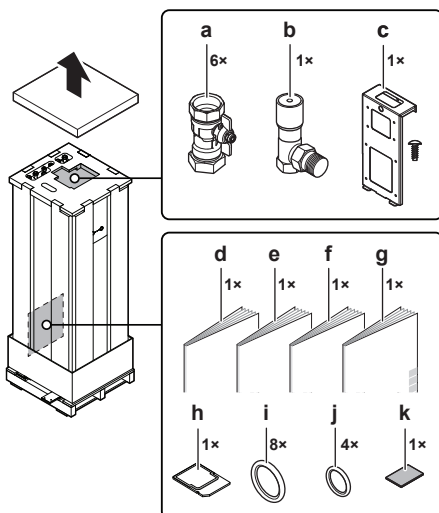
This unit is a heating only model. Therefore, all references to cooling in this document are NOT applicable.

Keep the following in mind:

- At delivery, the unit **MUST** be checked for damage and completeness. Any damage or missing parts **MUST** be reported immediately to the claims agent of the carrier.
- Bring the packed unit as close as possible to its final installation position to prevent damage during transport.
- Prepare in advance the path along which you want to bring the unit to its final installation position.

### 3.1 Indoor unit

#### 3.1.1 To remove the accessories from the indoor unit

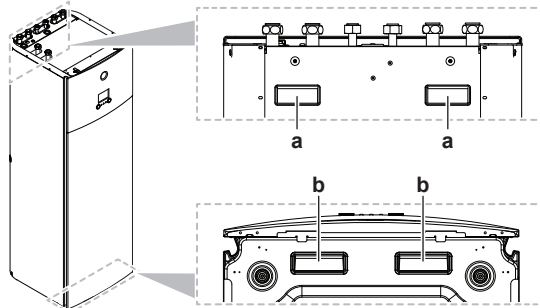


- a Shut-off valves for water circuit
- b Differential pressure bypass valve
- c Mounting plate (+ screw) for demand PCB (EKRP1AHTA) and digital I/O PCB (EKRP1HBAA)

- d General safety precautions
- e Addendum book for optional equipment
- f Indoor unit installation manual
- g Operation manual
- h WLAN cartridge
- i Sealing rings for shut-off valves (space heating water circuit)
- j Sealing rings for field-supplied shut-off valves (domestic hot water circuit)
- k Sealing tape for low voltage wiring intake

#### 3.1.2 To handle the indoor unit

Use the handles at the back and at the bottom to carry the unit.



- a Handles at the back of the unit
- b Handles at the bottom of the unit. Carefully tilt the unit to the back so that the handles become visible.

### 4 Unit installation



#### INFORMATION

This unit is a heating only model. Therefore, all references to cooling in this document are NOT applicable.

#### 4.1 Preparing the installation site



#### NOTICE

This unit is designed for operation on 2 temperature zones:

- underfloor heating in the **main zone**, this is the zone with the **lowest water temperature**,
- radiators in the **additional zone**, this is the zone with the **highest water temperature**.

##### 4.1.1 Installation site requirements of the indoor unit

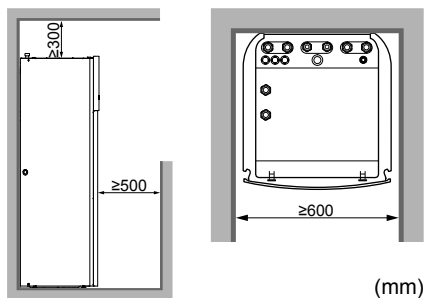
- The indoor unit is designed for indoor installation only and for the following ambient temperatures:
  - Space heating operation: 5~30°C
  - Space cooling operation: 5~35°C
  - Domestic hot water production: 5~35°C
- Mind the measurement guidelines:

Maximum height difference between indoor unit and outdoor unit	10 m
Maximum total water piping length	50 m <sup>(a)</sup>

<sup>(a)</sup> Precise water piping length can be determined using the Hydronic Piping Calculation tool. The Hydronic Piping Calculation tool is part of the Heating Solutions Navigator which can be reached via <https://professional.standby.me.daikin.eu>. Please contact your dealer if you have no access to Heating Solutions Navigator.

- Mind the following spacing installation guidelines:





(mm)

## INFORMATION

If you have limited installation space, do the following before installing the unit in its final position: "4.3.2 To connect the drain hose to the drain" [▶ 6]. It requires to remove one or both side panels.

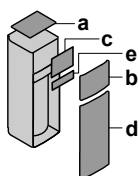
## NOTICE

When the temperature in multiple rooms is controlled by 1 thermostat, do NOT place a thermostatic valve on the emitter in the room where the thermostat is installed.

## 4.2 Opening and closing the unit

### 4.2.1 To open the indoor unit

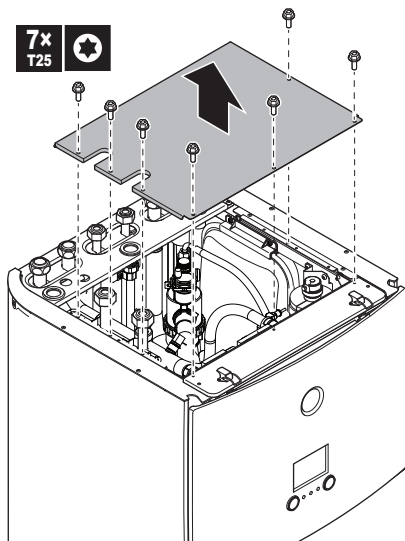
#### Overview



- a Top panel
- b User interface panel
- c Switch box cover
- d Front panel
- e High voltage switch box cover

#### Open

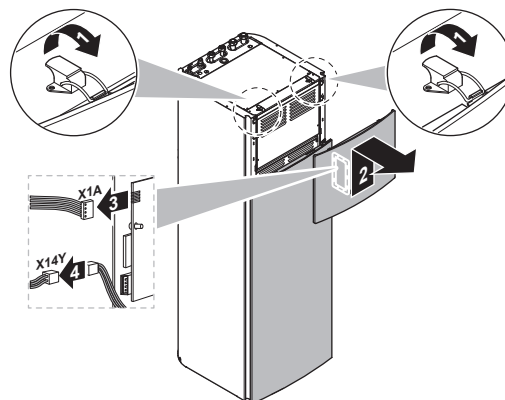
- 1 Remove the top panel.



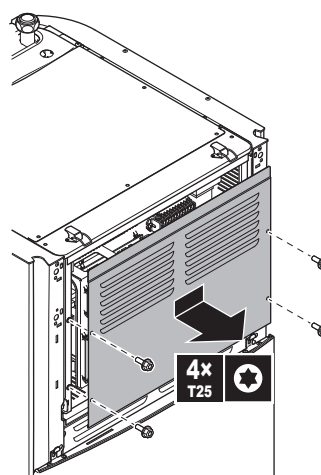
- 2 Remove the user interface panel. Open the hinges at the top and slide the top panel upwards.

## NOTICE

If you remove the user interface panel, also disconnect the cables from the back of the user interface panel to prevent damage.

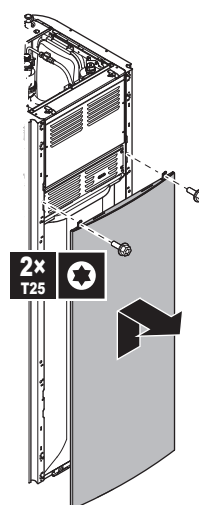


- 3 Remove the switch box cover.



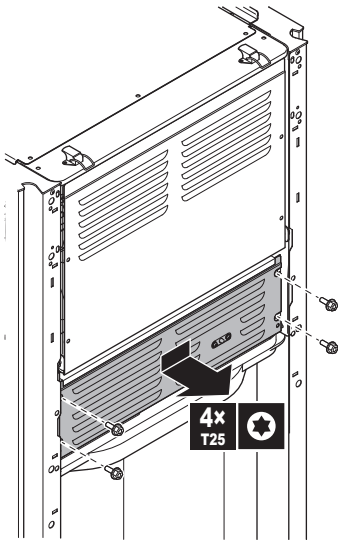
- 4 If necessary, remove the front plate. This is, for example, necessary in the following cases:

- "4.2.2 To lower the switch box on the indoor unit" [▶ 6]
- "4.3.2 To connect the drain hose to the drain" [▶ 6]
- When you need access to the high voltage switch box



- 5 If you need access to the high voltage components, remove the high voltage switch box cover.

## 4 Unit installation

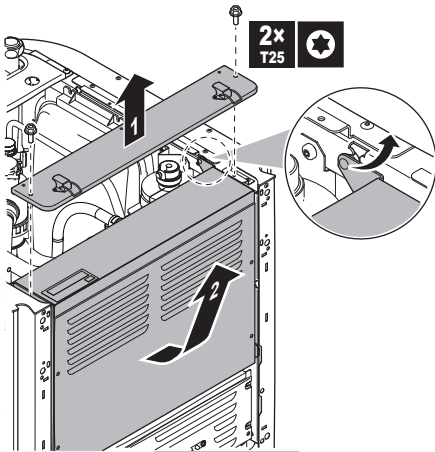


### 4.2.2 To lower the switch box on the indoor unit

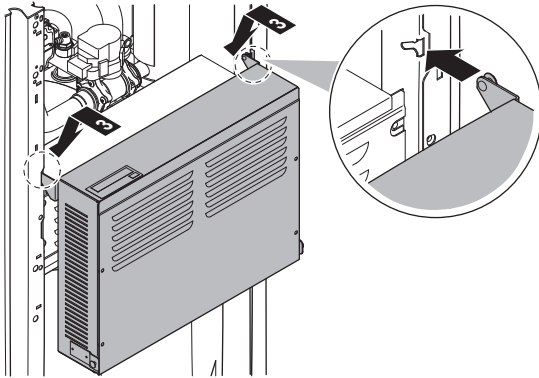
During the installation, you will need access to the inside of the indoor unit. To have easier front access, put the switch box lower on the unit as follows:

**Prerequisite:** The user interface panel and front panel have been removed.

- 1 Remove the fixing plate at the top of the unit.
- 2 Tilt the switch box to the front and lift it out of its hinges.



- 3 Place the switch box lower on the unit. Use the 2 hinges located lower on the unit.



### 4.2.3 To close the indoor unit

- 1 Close the cover of the switch box.
- 2 Put the switch box back into place.

- 3 Reinstall the top panel.
- 4 Reinstall the side panels.
- 5 Reinstall the front panel.
- 6 Reconnect the cables to the user interface panel.
- 7 Reinstall the user interface panel.



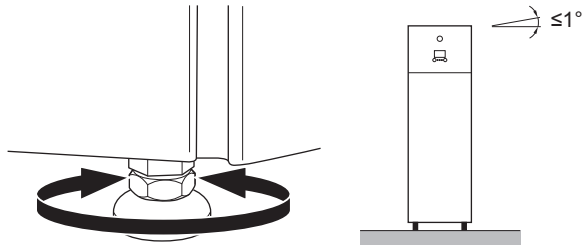
#### NOTICE

When closing the indoor unit cover, make sure that the tightening torque does NOT exceed 4.1 N•m.

## 4.3 Mounting the indoor unit

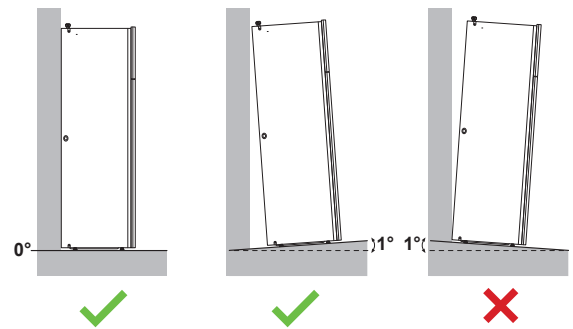
### 4.3.1 To install the indoor unit

- 1 Lift the indoor unit from the pallet and place it on the floor. Also see "3.1.2 To handle the indoor unit" [▶ 4].
- 2 Connect the drain hose to the drain. See "4.3.2 To connect the drain hose to the drain" [▶ 6].
- 3 Slide the indoor unit into position.
- 4 Adjust the height of the leveling feet to compensate for floor irregularities. The maximum allowed deviation is 1°.



#### NOTICE

Do NOT tilt the unit forwards:



### 4.3.2 To connect the drain hose to the drain

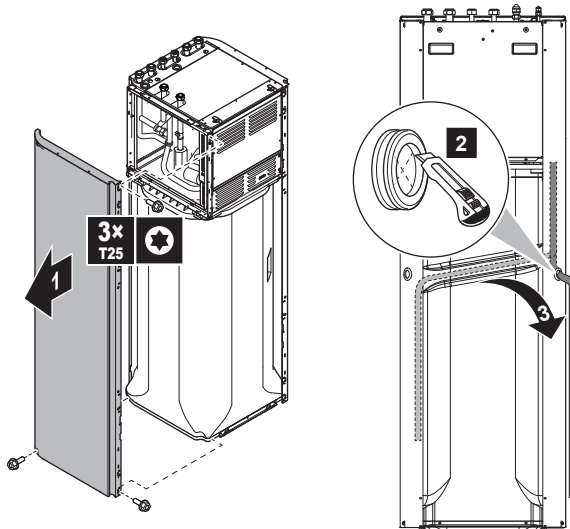
Water coming from the pressure relief valve is collected in the drain pan. The drain pan is connected to a drain hose inside the unit. You must connect the drain hose to an appropriate drain according to the applicable legislation. You can route the drain hose through the left or right side panel.

**Prerequisite:** The user interface panel and front panel have been removed.

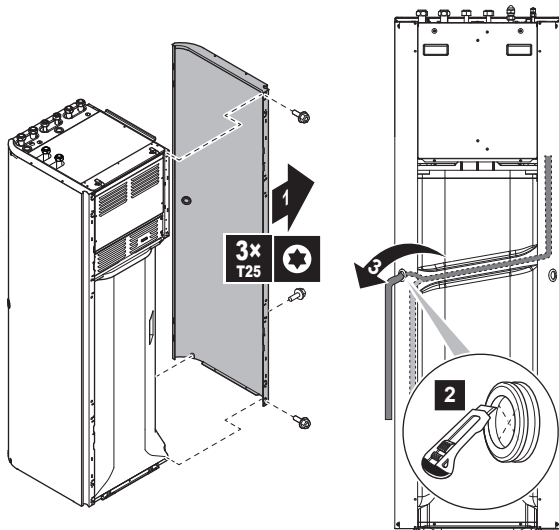
- 1 Remove one of the side panels.
- 2 Cut out the rubber grommet.
- 3 Pull the drain hose through the hole.
- 4 Reattach the side panel. Ensure the water can flow through the drain tube.

It is recommended to use a tundish to collect the water.

## Option 1: Through the left side panel



## Option 2: Through the right side panel



# 5 Piping installation

## **i** INFORMATION

This unit is a heating only model. Therefore, all references to cooling in this document are NOT applicable.

## 5.1 Preparing water piping

### **!** NOTICE

In case of plastic pipes, make sure they are fully oxygen diffusion tight according to DIN 4726. The diffusion of oxygen into the piping can lead to excessive corrosion.

### **!** NOTICE

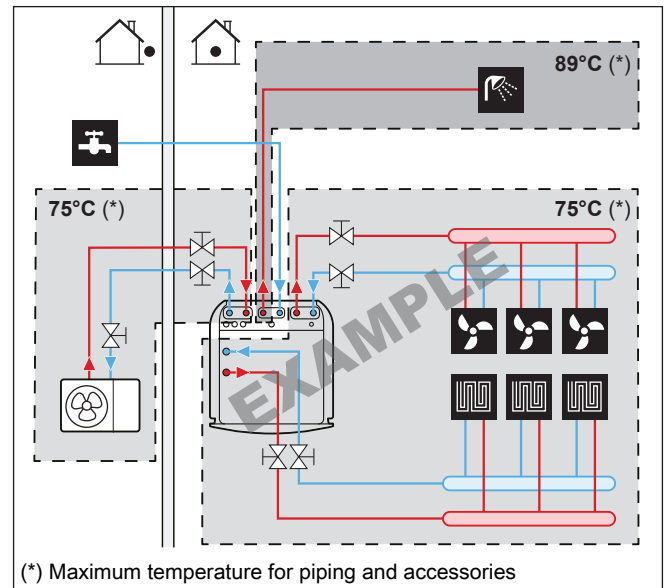
**Water circuit requirements.** Make sure to comply with the water pressure and water temperature requirements below. For additional water circuit requirements, see the installer reference guide.

- **Water pressure – Domestic hot water.** The maximum water pressure is 10 bar (=1.0 MPa), and must be in accordance with the applicable legislation. Provide adequate safeguards in the water circuit to ensure that the maximum pressure is NOT exceeded (see "5.2.1 To connect the water piping" [p. 8]). The minimum water pressure to operate is 1 bar (=0.1 MPa).

- **Water pressure – Space heating/cooling circuit.** The maximum water pressure is 3 bar (=0.3 MPa). Provide adequate safeguards in the water circuit to ensure that the maximum pressure is NOT exceeded. The minimum water pressure to operate is 1 bar (=0.1 MPa).
- **Water temperature.** All installed piping and piping accessories (valve, connections,...) MUST withstand the following temperatures:

## **i** INFORMATION

The following figure is an example and may NOT completely match your system layout



### 5.1.1 To check the water volume and flow rate

#### Minimum water volume

Check that the total water volume in the installation is minimum 20 litres, the internal water volume of the outdoor unit NOT included.

### **!** NOTICE

When circulation in each space heating/cooling loop is controlled by remotely controlled valves, it is important that the minimum water volume is guaranteed, even if all of the valves are closed.

#### Minimum flow rate

Check that the minimum flow rate in the installation is guaranteed in all conditions on each zone separately. This minimum flow rate is required during defrost/backup heater operation. For this purpose, use the differential pressure bypass valve delivered with the unit.

#### Minimum required flow rate

- For E models: 25 l/min
- For E7 models: 22 l/min

### **!** NOTICE

To guarantee proper operation it is recommended to have a minimum flow of 28 l/min during DHW.

### **!** NOTICE

If glycol was added to the water circuit, and the temperature of the water circuit is low, the flow rate will NOT be displayed on the user interface. In this case, the minimum flow rate can be checked by way of the pump test (check that the user interface does NOT display error 7H).

## 5 Piping installation

### NOTICE

When circulation in each or certain space heating loops is controlled by remotely controlled valves, it is important that the minimum flow rate is guaranteed, even if all valves are closed. In case the minimum flow rate cannot be reached, a flow error 7H will be generated (no heating or operation).

See the installer reference guide for more information.

See the recommended procedure as described in "8.2 Checklist during commissioning" [▶ 31].

## 5.2 Connecting water piping

### 5.2.1 To connect the water piping

### NOTICE

Do NOT use excessive force when connecting the field piping and make sure the piping is aligned properly. Deformation of the piping can cause malfunctioning of the unit.

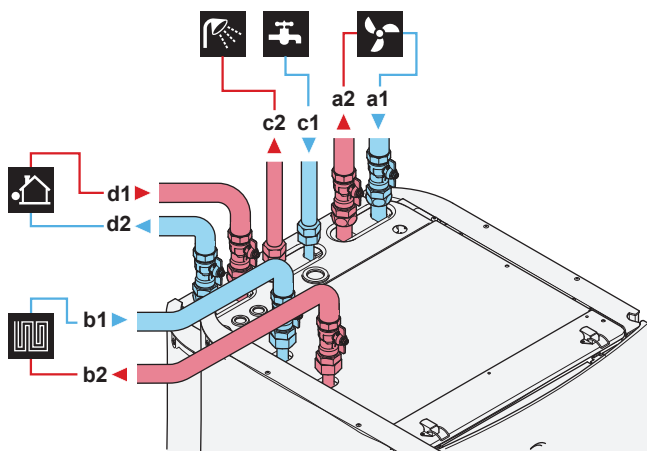
To facilitate service and maintenance, 6 shut-off valves and 1 differential pressure bypass valve are provided. Mount the shut-off valves on the space heating water IN/OUT connections of both zones, and on the water IN/OUT connections from/to the outdoor unit. To ensure the minimum flow rate (and prevent overpressure), install the **differential pressure bypass valve** on the space heating water outlet for the **additional zone**.

### NOTICE

This unit is designed for operation on 2 temperature zones:

- underfloor heating in the **main zone**, this is the zone with the **lowest water temperature**,
- radiators in the **additional zone**, this is the zone with the **highest water temperature**.

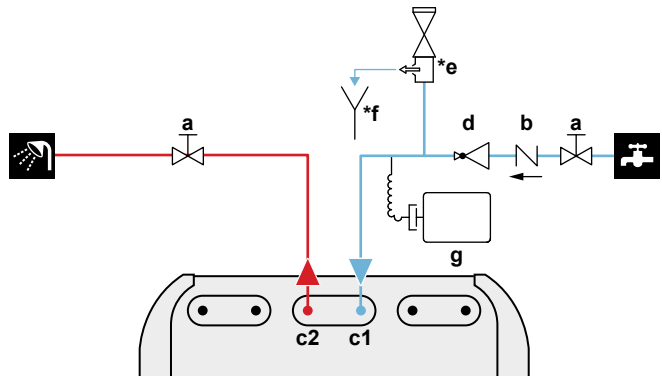
- 1 Connect the O-rings and shut-off valves to the outdoor unit water connection pipes of the indoor unit.
- 2 Connect the outdoor unit field piping to the shut-off valves.
- 3 Connect the O-rings and shut-off valves to the space heating/cooling water pipes of both zones of the indoor unit.
- 4 Connect the space heating/cooling field piping of both zones to the shut-off valves.
- 5 Connect the domestic hot water in and out pipes to the indoor unit.



- a1 Space heating additional/direct zone – Water IN (screw connection, 1")
- a2 Space heating additional/direct zone – Water OUT (screw connection, 1")
- b1 Space heating main/mixed zone – Water IN (screw connection, 1")
- b2 Space heating main/mixed zone – Water OUT (screw connection, 1")
- c1 DHW – Cold water IN (screw connection, 3/4")
- c2 DHW – Hot water OUT (screw connection, 3/4")

- b2 Space heating main/mixed zone – Water OUT (screw connection, 1")
- c1 DHW – Cold water IN (screw connection, 3/4")
- c2 DHW – Hot water OUT (screw connection, 3/4")
- d1 Water IN from outdoor unit (screw connection, 1")
- d2 Water OUT to outdoor unit (screw connection, 1")

- 6 Install the following components (field supply) on the cold water inlet of the DHW tank:



- a Shut-off valve (recommended)
- b Non-return valve (recommended)
- c1 DHW – Cold water IN (screw connection, 3/4")
- c2 DHW – Hot water OUT (screw connection, 3/4")
- d Pressure reducing valve (recommended)
- \*e Pressure relief valve (max. 10 bar (=1.0 MPa)) (mandatory)
- \*f Tundish (mandatory)
- g Expansion vessel (recommended)

### NOTICE

- It is recommended to install shut-off valves to domestic cold water in and domestic hot water out connections. These shut-off valves are field supplied.
- **However, make sure there is no valve between the pressure relief valve (field supply) and the DHW tank.**

### NOTICE

A pressure relief valve (field supply) with an opening pressure of maximum 10 bar (=1 MPa) must be installed on the domestic cold water inlet connection in accordance with the applicable legislation.



## NOTICE

- A drain device and pressure relief device must be installed on the cold water inlet connection of the domestic hot water cylinder.
- To avoid back siphonage, it is recommended to install a non-return valve on the water inlet of the domestic hot water tank in accordance with the applicable legislation. Make sure it is NOT between the pressure relief valve and the DHW tank.
- It is recommended to install a pressure reducing valve on the cold water inlet in accordance with the applicable legislation.
- It is recommended to install an expansion vessel on the cold water inlet in accordance with the applicable legislation.
- It is recommended to install the pressure relief valve on a higher position than the top of the domestic hot water tank. Heating of the domestic hot water tank causes water to expand and without pressure relief valve the water pressure inside the tank can rise above the tank design pressure. Also the field installation (piping, tapping points, etc.) connected to the tank is subjected to this high pressure. To prevent this, a pressure relief valve needs to be installed. The overpressure prevention depends on the correct operation of the field installed pressure relief valve. If this is NOT working correctly, overpressure will deform the tank and water leakage may occur. To confirm good operation, regular maintenance is required.



## NOTICE



**Differential pressure bypass valve** (delivered as accessory). We recommend to install the differential pressure bypass valve in the space heating water circuit.

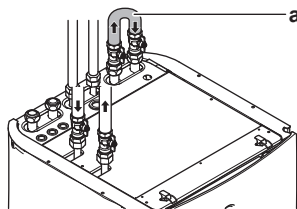
- Mind the minimum water volume when choosing the installation location of the differential pressure bypass valve (at the indoor unit, or at the collector). See "[5.1.1 To check the water volume and flow rate](#)" [▶ 7].
- Mind the minimum flow rate when adjusting the differential pressure bypass valve setting. See "[5.1.1 To check the water volume and flow rate](#)" [▶ 7] and "[8.2.1 To check the minimum flow rate](#)" [▶ 32].



## NOTICE

If you install this unit as a single-zone application, then:

**Setup.** Install a bypass between the space heating water inlet and outlet of the additional zone (=direct zone). Do NOT interrupt the water flow by closing the shut-off valves.



a Bypass

**Configuration.** Set field setting [7-02]=0 (Number of zones = Single zone).



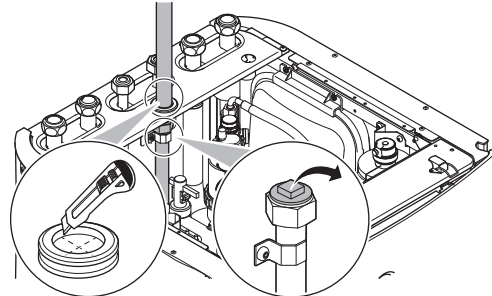
## NOTICE

Install air purge valves at all local high points.

## 5.2.2 To connect the recirculation piping

**Prerequisite:** Only required if you need recirculation in your system.

- 1 Remove the top panel from the unit, see "[4.2.1 To open the indoor unit](#)" [▶ 5].
- 2 Cut out the rubber grommet on top of the unit, and remove the stop. The recirculation connector is placed below the hole.
- 3 Route the recirculation piping through the grommet and connect it to the recirculation connector.



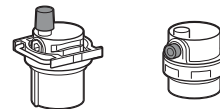
- 4 Reattach the top panel.

## 5.2.3 To fill the water circuit

To fill the water circuit, use a field supply filling kit. Make sure you comply with the applicable legislation.



## NOTICE



Make sure both air purge valves (one on the magnetic filter and one on the backup heater) are open.

All automatic air purge valves **MUST** remain open after commissioning.

## 5.2.4 To protect the water circuit against freezing

### About freeze protection

Frost can damage the system. To prevent the hydraulic components from freezing, the software is equipped with special frost protection functions such as water pipe freeze prevention and drain prevention (see the installer reference guide) that include the activation of pump in case of low temperatures.

However, in case of a power failure, these functions cannot guarantee protection.

Do one of the following to protect the water circuit against freezing:

- Add glycol to the water. Glycol lowers the freezing point of the water.
- Install freeze protection valves. Freeze protection valves drain the water from the system before it can freeze. Insulate the freeze protection valves in a similar way as the water piping, but do NOT insulate the inlet and outlet (release) of these valves.



## NOTICE

If you add glycol to the water, do NOT install freeze protection valves. **Possible consequence:** Glycol leaking out of the freeze protection valves.

### Freeze protection by glycol

#### About freeze protection by glycol

Adding glycol to the water lowers the freezing point of water.



## 5 Piping installation



### WARNING

Ethylene glycol is toxic.



### WARNING

Due to the presence of glycol, corrosion of the system is possible. Uninhibited glycol will turn acidic under the influence of oxygen. This process is accelerated by the presence of copper and high temperatures. The acidic uninhibited glycol attacks metal surfaces and forms galvanic corrosion cells that cause severe damage to the system. Therefore it is important that:

- the water treatment is correctly executed by a qualified water specialist,
- a glycol with corrosion inhibitors is selected to counteract acids formed by the oxidation of glycols,
- no automotive glycol is used because their corrosion inhibitors have a limited lifetime and contain silicates which can foul or plug the system,
- galvanized pipes are NOT used in glycol systems since the presence may lead to the precipitation of certain components in the glycol's corrosion inhibitor.



### NOTICE

Glycol absorbs water from its environment. Therefore do NOT add glycol that has been exposed to air. Leaving the cap off the glycol container causes the concentration of water to increase. The glycol concentration is then lower than assumed. As a result, the hydraulic components might freeze up after all. Take preventive actions to ensure a minimal exposure of the glycol to air.

### Types of glycol

The types of glycol that can be used depend on whether the system contains a domestic hot water tank:

If...	Then...
The system contains a domestic hot water tank	Only use propylene glycol <sup>(a)</sup>
The system does NOT contain a domestic hot water tank	You can use either propylene glycol <sup>(a)</sup> or ethylene glycol

<sup>(a)</sup> Propylene glycol, including the necessary inhibitors, classified as Category III according to EN1717.

### Required concentration of glycol

The required concentration of glycol depends on the lowest expected outdoor temperature, and on whether you want to protect the system from bursting or from freezing. To prevent the system from freezing, more glycol is required.

Add glycol according to the table below.

Lowest expected outdoor temperature	Prevent from bursting	Prevent from freezing
-5°C	10%	15%
-10°C	15%	25%
-15°C	20%	35%
-20°C	25%	—
-25°C	30%	—
-30°C	35%	—



### INFORMATION

- Protection against bursting: the glycol will prevent the piping from bursting, but NOT the liquid inside the piping from freezing.
- Protection against freezing: the glycol will prevent the liquid inside the piping from freezing.



### NOTICE

- The required concentration might differ depending on the type of glycol. ALWAYS compare the requirements from the table above with the specifications provided by the glycol manufacturer. If necessary, meet the requirements set by the glycol manufacturer.
- The added concentration of glycol should NEVER exceed 35%.
- If the liquid in the system is frozen, the pump will NOT be able to start. Mind that if you only prevent the system from bursting, the liquid inside might still freeze.
- When water is at standstill inside the system, the system is very likely to freeze and get damaged.

### Glycol and the maximum allowed water volume

Adding glycol to the water circuit reduces the maximum allowed water volume of the system. For more information, see the installer reference guide (topic "To check the water volume and flow rate").

### Glycol setting



### NOTICE

If glycol is present in the system, setting [E-0D] must be set to 1. If the glycol setting is NOT set correctly, the liquid inside the piping can freeze.

## Freeze protection by freeze protection valves

### About freeze protection valves

When no glycol is added to the water, you can use freeze protection valves to drain the water from the system before it can freeze.

- Install freeze protection valves (field supply) at all lowest points of the field piping.
- Normally closed valves (located indoors near the piping entry/exit points) can prevent that all water from indoor piping is drained when the freeze protection valves open.



### NOTICE

When freeze protection valves are installed, set the minimum cooling setpoint (default=7°C) at least 2°C higher than the maximum opening temperature of the freeze protection valve. If lower, freeze protection valves can open during cooling operation.

For more information, see the installer reference guide.

### 5.2.5 To fill the domestic hot water tank

- 1 Open every hot water tap in turn to purge air from the system pipe work.
- 2 Open the cold water supply valve.
- 3 Close all water taps after all air is purged.
- 4 Check for water leaks.

### 5.2.6 To insulate the water piping

The piping in the complete water circuit MUST be insulated to prevent condensation during cooling operation and reduction of the heating and cooling capacity.

### Outdoor water piping insulation

See the installation manual of the outdoor unit, or the installer reference guide.

## 6 Electrical installation



### INFORMATION

This unit is a heating only model. Therefore, all references to cooling in this document are NOT applicable.



### DANGER: RISK OF ELECTROCUTION



### WARNING

ALWAYS use multicore cable for power supply cables.



### WARNING

If the supply cord is damaged, it MUST be replaced by the manufacturer, its service agent or similarly qualified persons in order to avoid a hazard.



### CAUTION

Do NOT push or place redundant cable length into the unit.



### NOTICE

The distance between the high voltage and low voltage cables should be at least 50 mm.

### 6.1 About electrical compliance

#### Only for the backup heater of the indoor unit

See "6.3.2 To connect the backup heater power supply" ▶ 13].

### 6.2 Guidelines when connecting the electrical wiring

#### Tightening torques

Indoor unit:

Item	Tightening torque (N·m)
X1M	2.45 ±10%
X2M	0.88 ±10%
X5M	0.88 ±10%
X6M	2.45 ±10%
X10M	0.88 ±10%
M4 (earth)	1.47 ±10%















### 6.3 Connections to the indoor unit

Item	Description
Power supply (main)	See "6.3.1 To connect the main power supply" ▶ 12].
Power supply (backup heater)	See "6.3.2 To connect the backup heater power supply" ▶ 13].
Shut-off valve	See "6.3.3 To connect the shut-off valve" ▶ 14].
Electricity meters	See "6.3.4 To connect the electricity meters" ▶ 15].
Domestic hot water pump	See "6.3.5 To connect the domestic hot water pump" ▶ 15].
Alarm output	See "6.3.6 To connect the alarm output" ▶ 16].
Space cooling/heating operation control	See "6.3.7 To connect the space cooling/heating ON/OFF output" ▶ 16].
Changeover to external heat source control	See "6.3.8 To connect the changeover to external heat source" ▶ 17].

Item	Description
Power consumption digital inputs	See "6.3.9 To connect the power consumption digital inputs" ▶ 17].
Safety thermostat	See "6.3.10 To connect the safety thermostat (normally closed contact)" ▶ 18].
Smart Grid	See "6.3.11 To connect a Smart Grid" ▶ 19].
WLAN cartridge	See "6.3.12 To connect the WLAN cartridge (delivered as accessory)" ▶ 21].
Room thermostat (wired or wireless)	See below table. Wires: 0.75 mm <sup>2</sup> Maximum running current: 100 mA For the main zone: <ul style="list-style-type: none"> <li>[2.9] Control</li> <li>[2.A] Ext thermostat type</li> </ul> For the additional zone: <ul style="list-style-type: none"> <li>[3.A] Ext thermostat type</li> <li>[3.9] (read-only) Control</li> </ul>
Heat pump convector	There are different controllers and setups possible for the heat pump convectors. Depending on the setup, you also need to implement a relay (field supply, see addendum book for optional equipment). For more information, see: <ul style="list-style-type: none"> <li>Installation manual of the heat pump convectors</li> <li>Installation manual of the heat pump convector options</li> <li>Addendum book for optional equipment</li> </ul> Wires: 0.75 mm <sup>2</sup> Maximum running current: 100 mA For the main zone: <ul style="list-style-type: none"> <li>[2.9] Control</li> <li>[2.A] Ext thermostat type</li> </ul> For the additional zone: <ul style="list-style-type: none"> <li>[3.A] Ext thermostat type</li> <li>[3.9] (read-only) Control</li> </ul>
Remote outdoor sensor	See: <ul style="list-style-type: none"> <li>Installation manual of the remote outdoor sensor</li> <li>Addendum book for optional equipment</li> </ul> Wires: 2×0.75 mm <sup>2</sup> [9.B.1]=1 (External sensor = Outdoor) [9.B.2] Ext. amb. sensor offset [9.B.3] Averaging time



## 6 Electrical installation

Item	Description
Remote indoor sensor	 See: <ul style="list-style-type: none"> <li>Installation manual of the remote indoor sensor</li> <li>Addendum book for optional equipment</li> </ul>
	 Wires: 2×0.75 mm <sup>2</sup>
	 [9.B.1]=2 (External sensor = Room)  [1.7] Room sensor offset
Human Comfort Interface	 See: <ul style="list-style-type: none"> <li>Installation and operation manual of the Human Comfort Interface</li> <li>Addendum book for optional equipment</li> </ul>
	 Wires: 2×(0.75~1.25 mm <sup>2</sup> ) Maximum length: 500 m
	 [2.9] Control  [1.6] Room sensor offset
WLAN module	 See: <ul style="list-style-type: none"> <li>Installation manual of the WLAN module</li> <li>Addendum book for optional equipment</li> <li>Installer reference guide</li> </ul>
	 Use the cable delivered with the WLAN module.
	 [D] Wireless gateway
LAN adapter	 See: <ul style="list-style-type: none"> <li>Installation manual of the LAN adapter</li> <li>Addendum book for optional equipment</li> </ul>
	 Wires: 2×(0.75~1.25 mm <sup>2</sup> ). Must be sheathed. Maximum length: 200 m
	 See installation manual of the LAN adapter

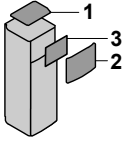
 for room thermostat (wired or wireless):

In case of...	See...
Wireless room thermostat	<ul style="list-style-type: none"> <li>Installation manual of the wireless room thermostat</li> <li>Addendum book for optional equipment</li> </ul>
Wired room thermostat without multi-zoning base unit	<ul style="list-style-type: none"> <li>Installation manual of the wired room thermostat</li> <li>Addendum book for optional equipment</li> </ul>

In case of...	See...
Wired room thermostat with multi-zoning base unit	<ul style="list-style-type: none"> <li>Installation manual of the wired room thermostat (digital or analogue) + multi-zoning base unit</li> <li>Addendum book for optional equipment</li> <li>In this case:               <ul style="list-style-type: none"> <li>You need to connect the wired room thermostat (digital or analogue) to the multi-zoning base unit</li> <li>You need to connect the multi-zoning base unit to the outdoor unit</li> <li>For cooling/heating operation, you also need to implement a relay (field supply, see addendum book for optional equipment)</li> </ul> </li> </ul>



### 6.3.1 To connect the main power supply

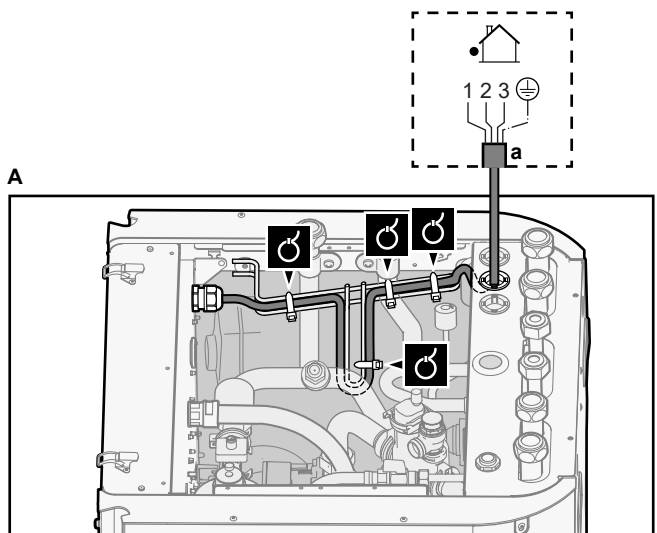
- 1 Open the following (see "4.2.1 To open the indoor unit" ▶ 5):

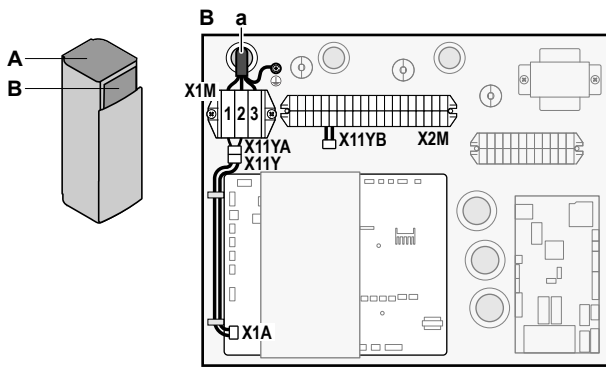
1	Top panel	
2	User interface panel	
3	Upper switch box cover	

- 2 Connect the main power supply.

#### In case of normal kWh rate power supply

 Interconnection cable (= main power supply)	Wires: (3+GND)×1.5 mm <sup>2</sup>
 —	



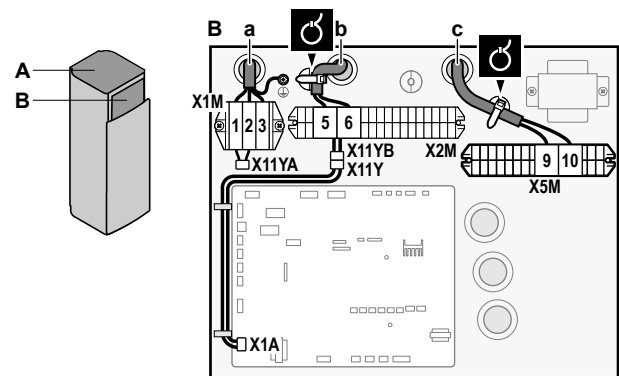
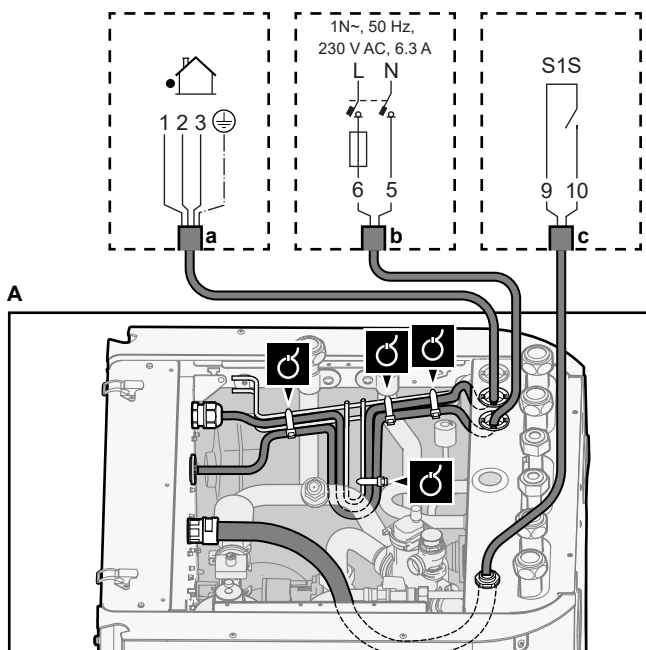


a Interconnection cable (=main power supply)

### In case of preferential kWh rate power supply

	Interconnection cable (= main power supply)	Wires: (3+GND)×1.5 mm <sup>2</sup>
	Normal kWh rate power supply	Wires: 1N Maximum running current: 6.3 A
	Preferential kWh rate power supply contact	Wires: 2×(0.75~1.25 mm <sup>2</sup> ) Maximum length: 50 m. Preferential kWh rate power supply contact: 16 V DC detection (voltage supplied by PCB). The voltage-free contact shall ensure the minimum applicable load of 15 V DC, 10 mA.
	[9.8] Benefit kWh power supply	

Connect X11Y to X11YB.



a Interconnection cable (=main power supply)  
b Normal kWh rate power supply  
c Preferential power supply contact

3 Fix the cables with cable ties to the cable tie mountings.



### INFORMATION

In case of preferential kWh rate power supply, connect X11Y to X11YB. The necessity of separate normal kWh rate power supply to indoor unit (b) X2M/5+6 depends on the type of preferential kWh rate power supply.

Separate connection to the indoor unit is required:

- if preferential kWh rate power supply is interrupted when active, OR
- if no power consumption of the indoor unit is allowed at the preferential kWh rate power supply when active.

### 6.3.2 To connect the backup heater power supply

	Backup heater type	Power supply	Wires
	*6V	1N~ 230 V (6V3)	2+GND
		3~ 230 V (6T1)	3+GND
	*9W	3N~ 400 V	4+GND
	[9.3] Backup heater		



### WARNING

The backup heater **MUST** have a dedicated power supply and **MUST** be protected by the safety devices required by the applicable legislation.



### CAUTION

To guarantee the unit is completely earthed, **ALWAYS** connect the backup heater power supply and the earth cable.

The backup heater capacity can vary, depending on the indoor unit model. Make sure that the power supply is in accordance with the backup heater capacity, as listed in the table below.

Backup heater type	Backup heater capacity	Power supply	Maximum running current	Z <sub>max</sub>
*6V	2 kW	1N~ 230 V <sup>(a)</sup>	9 A	—
	4 kW	1N~ 230 V <sup>(a)</sup>	17 A <sup>(b)(c)</sup>	0.22 Ω
	6 kW	1N~ 230 V <sup>(a)</sup>	26 A <sup>(b)(c)</sup>	0.22 Ω
	2 kW	3~ 230 V <sup>(d)</sup>	5 A	—
	4 kW	3~ 230 V <sup>(d)</sup>	10 A	—
	6 kW	3~ 230 V <sup>(d)</sup>	15 A	—

## 6 Electrical installation

Backup heater type	Backup heater capacity	Power supply	Maximum running current	Z <sub>max</sub>
*9W	3 kW	3N~ 400 V	4 A	—
	6 kW	3N~ 400 V	9 A	—
	9 kW	3N~ 400 V	13 A	—

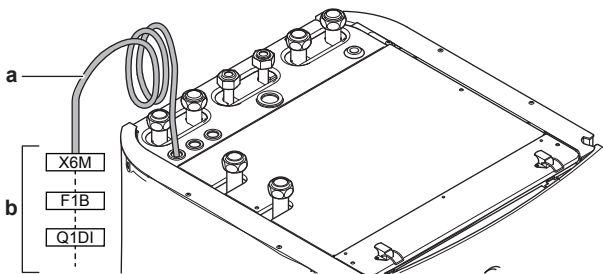
<sup>(a)</sup> 6V3

<sup>(b)</sup> Electrical equipment complying with EN/IEC 61000-3-12 (European/International Technical Standard setting the limits for harmonic currents produced by equipment connected to public low-voltage systems with input current >16 A and ≤75 A per phase).

<sup>(c)</sup> This equipment complies with EN/IEC 61000-3-11 (European/International Technical Standard setting the limits for voltage changes, voltage fluctuations and flicker in public low-voltage supply systems for equipment with rated current ≤75 A) provided that the system impedance Z<sub>sys</sub> is less than or equal to Z<sub>max</sub> at the interface point between the user's supply and the public system. It is the responsibility of the installer or user of the equipment to ensure, by consultation with the distribution network operator if necessary, that the equipment is connected only to a supply with a system impedance Z<sub>sys</sub> less than or equal to Z<sub>max</sub>.

<sup>(d)</sup> 6T1

Connect the backup heater power supply as follows:



- a Factory-mounted cable connected to the contactor of the backup heater, inside the switch box (K5M)
- b Field wiring (see table below)

Model (power supply)	Connections to backup heater power supply
*6V (6V3: 1N~ 230 V)	

Model (power supply)	Connections to backup heater power supply
*6V (6T1: 3~ 230 V)	
*9W (3N~ 400 V)	

- F1B** Overcurrent fuse (field supply). Recommended fuse: 4-pole; 20 A; curve 400 V; tripping class C.
- K5M** Safety contactor (in the lower switch box)
- Q1DI** Earth leakage circuit breaker (field supply)
- SWB** Switch box
- X6M** Terminal (field supply)



### NOTICE

Do NOT cut or remove the backup heater power supply cable.

### 6.3.3 To connect the shut-off valve



#### INFORMATION

**Shut-off valve usage example.** In case of one LWT zone, and a combination of underfloor heating and heat pump convectors, install a shut-off valve before the underfloor heating to prevent condensation on the floor during cooling operation.



Wires: 2×0.75 mm<sup>2</sup>

Maximum running current: 100 mA

230 V AC supplied by PCB



[2.D] Shut off valve

- 1 Open the following (see "4.2.1 To open the indoor unit" ▶ 5):

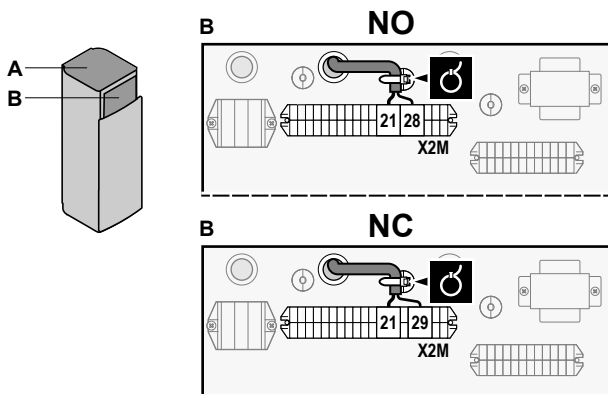
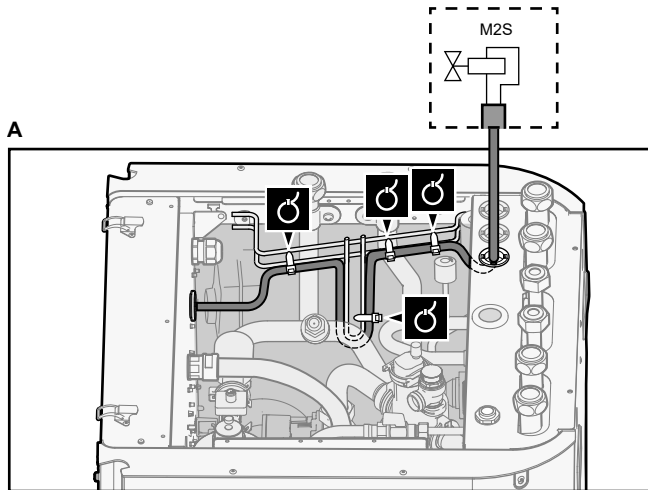
1	Top panel	
2	User interface panel	
3	Upper switch box cover	

- 2 Connect the valve control cable to the appropriate terminals as shown in the illustration below.



### NOTICE

Wiring is different for a NC (normally closed) valve and a NO (normally open) valve.



- 3 Fix the cable with cable ties to the cable tie mountings.

### 6.3.4 To connect the electricity meters

	Wires: 2 (per meter)×0.75 mm <sup>2</sup>
	Electricity meters: 12 V DC pulse detection (voltage supplied by PCB)
	[9.A] Energy metering



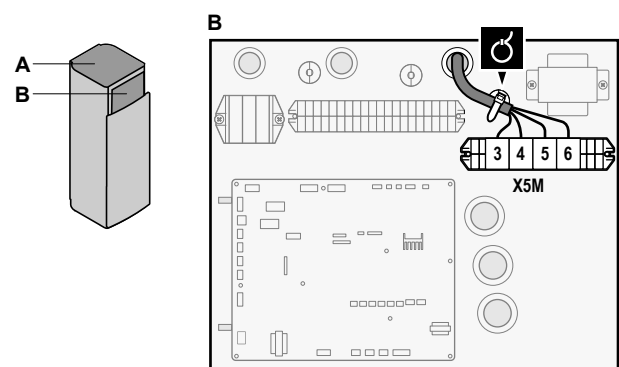
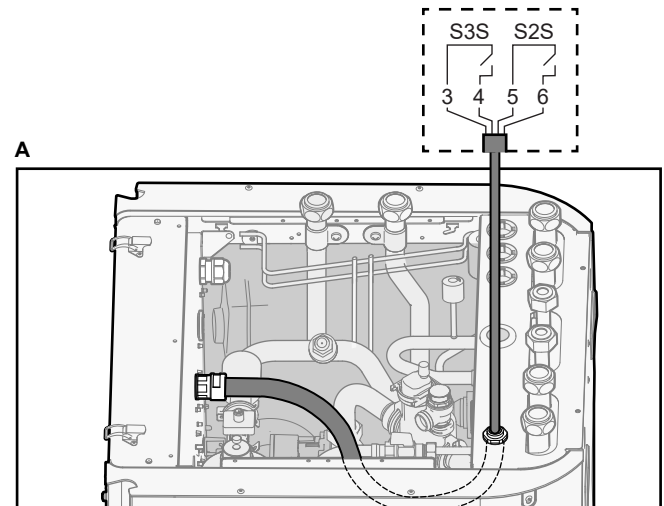
### INFORMATION

In case of an electricity meter with transistor output, check the polarity. The positive polarity MUST be connected to X5M/6 and X5M/4; the negative polarity to X5M/5 and X5M/3.

- 1 Open the following (see "4.2.1 To open the indoor unit" ▶ 5):

1	Top panel	
2	User interface panel	
3	Upper switch box cover	

- 2 Connect the electricity meters cable to the appropriate terminals as shown in the illustration below.



- 3 Fix the cable with cable ties to the cable tie mountings.

### 6.3.5 To connect the domestic hot water pump

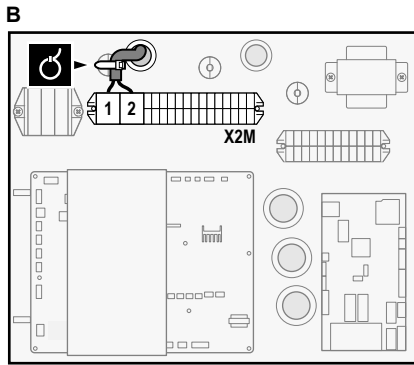
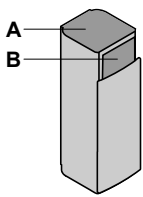
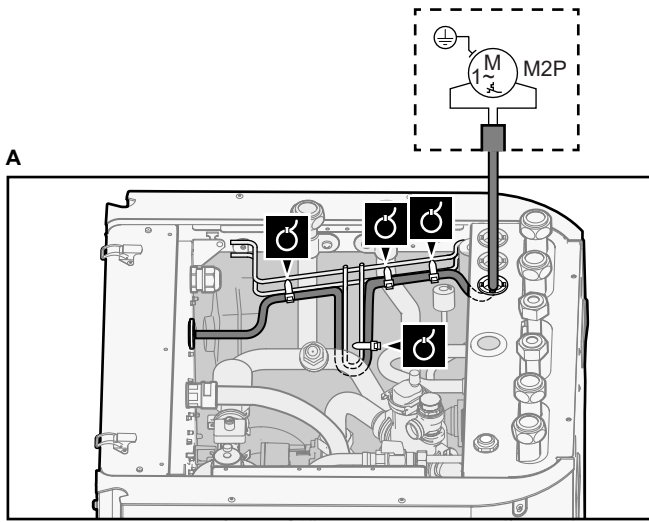
	Wires: (2+GND)×0.75 mm <sup>2</sup>
	DHW pump output. Maximum load: 2 A (inrush), 230 V AC, 1 A (continuous)
	[9.2.2] DHW pump [9.2.3] DHW pump schedule

- 1 Open the following (see "4.2.1 To open the indoor unit" ▶ 5):

1	Top panel	
2	User interface panel	
3	Upper switch box cover	

- 2 Connect the domestic hot water pump cable to the appropriate terminals as shown in the illustration below.

## 6 Electrical installation



3 Fix the cable with cable ties to the cable tie mountings.

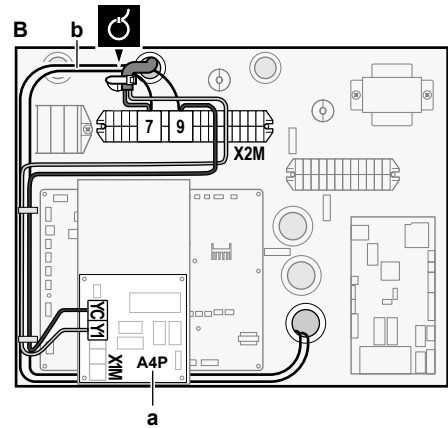
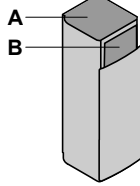
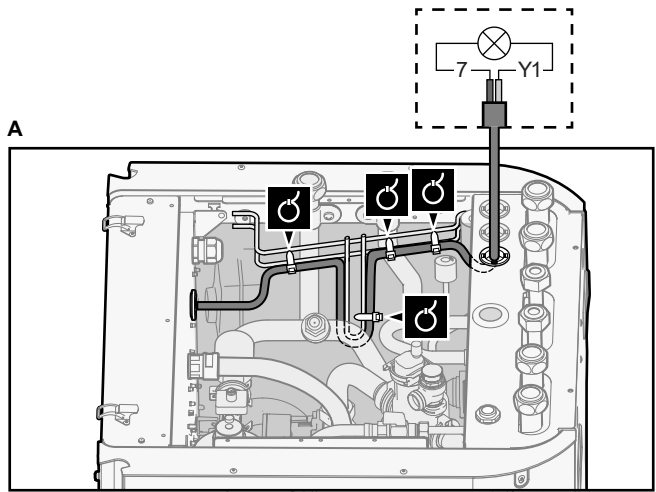
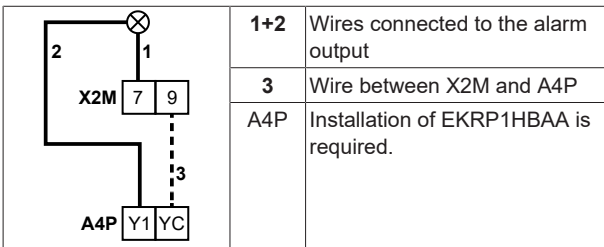
### 6.3.6 To connect the alarm output

	Wires: (2+1)×0.75 mm <sup>2</sup>
	Maximum load: 0.3 A, 250 V AC
	[9.D] Alarm output

1 Open the following (see "4.2.1 To open the indoor unit" [▶ 5]):

1	Top panel	
2	User interface panel	
3	Upper switch box cover	

2 Connect the alarm output cable to the appropriate terminals as shown in the illustration below.



- a Installation of EKR1HBAA is required.
- b Prewiring between X2M/7+9 and Q1L (= thermal protector backup heater). Do NOT change.

3 Fix the cable with cable ties to the cable tie mountings.

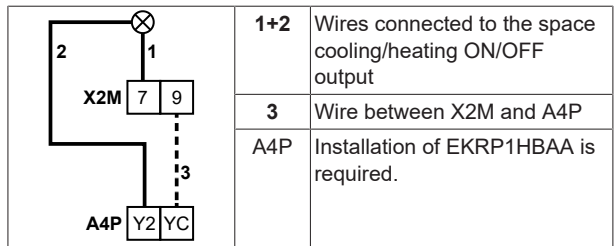
### 6.3.7 To connect the space cooling/heating ON/OFF output

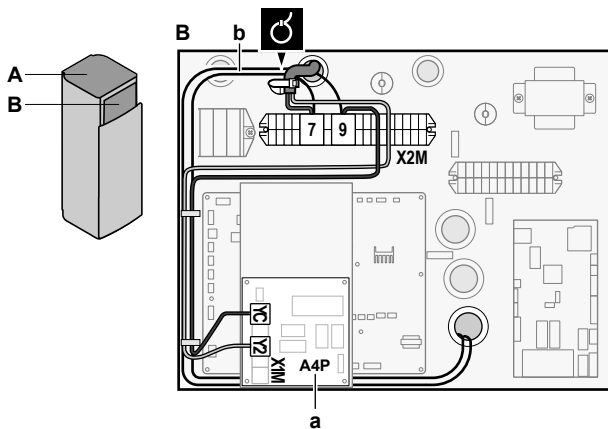
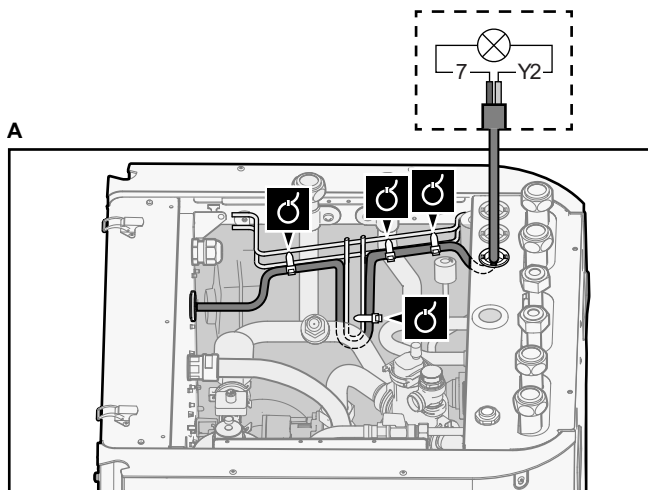
	Wires: (2+1)×0.75 mm <sup>2</sup>
	Maximum load: 0.3 A, 250 V AC
	—

1 Open the following (see "4.2.1 To open the indoor unit" [▶ 5]):

1	Top panel	
2	User interface panel	
3	Upper switch box cover	

2 Connect the space cooling/heating ON/OFF output cable to the appropriate terminals as shown in the illustration below.





- a Installation of EKR1HBAA is required.
- b Prewiring between X2M/7+9 and Q1L (= thermal protector backup heater). Do NOT change.

3 Fix the cable with cable ties to the cable tie mountings.

### 6.3.8 To connect the changeover to external heat source

#### INFORMATION

Bivalent is only possible in case of 1 leaving water temperature zone with:

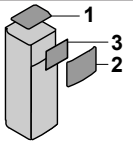
- room thermostat control, OR
- external room thermostat control.

Wires: 2×0.75 mm<sup>2</sup>  
 Maximum load: 0.3 A, 250 V AC  
 Minimum load: 20 mA, 5 V DC

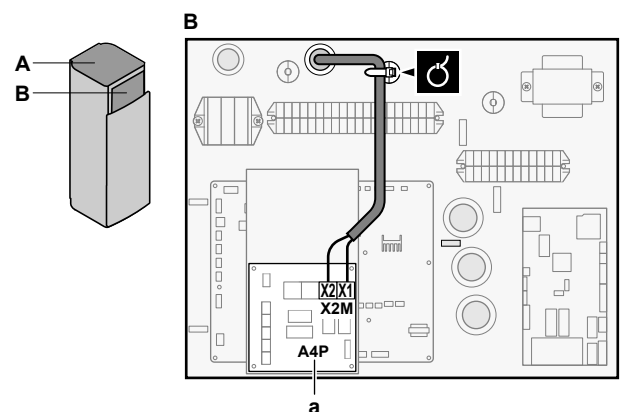
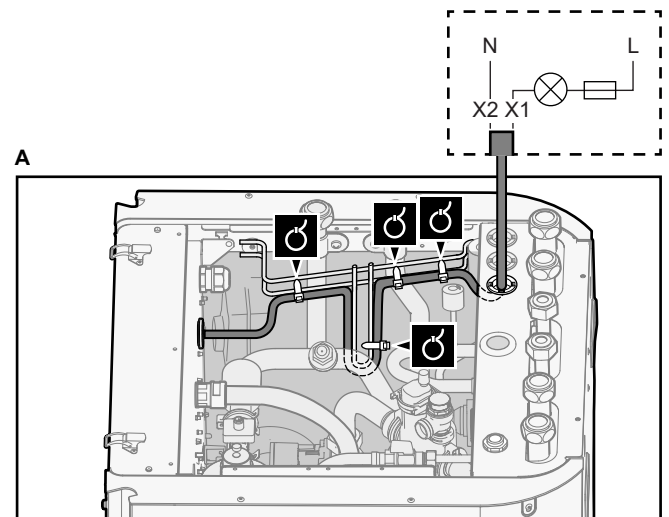
[9.C] Bivalent

1 Open the following (see "4.2.1 To open the indoor unit" ▶ 5):

1	Top panel
2	User interface panel
3	Upper switch box cover






2 Connect the changeover to external heat source cable to the appropriate terminals as shown in the illustration below.



- a Installation of EKR1HBAA is required.

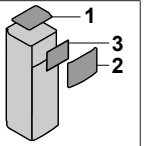
3 Fix the cable with cable ties to the cable tie mountings.

### 6.3.9 To connect the power consumption digital inputs

	Wires: 2 (per input signal)×0.75 mm <sup>2</sup>
	Power limitation digital inputs: 12 V DC / 12 mA detection (voltage supplied by PCB)
	[9.9] Power consumption control.

1 Open the following (see "4.2.1 To open the indoor unit" ▶ 5):

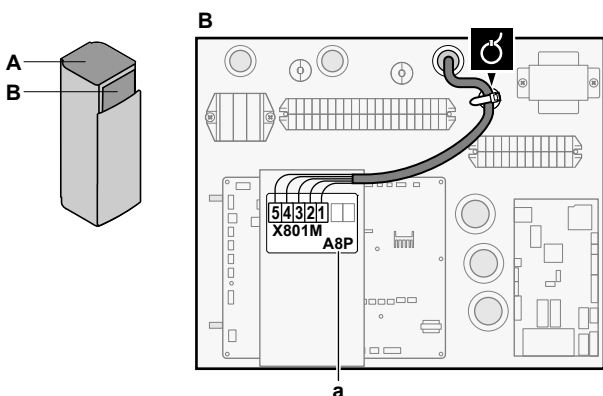
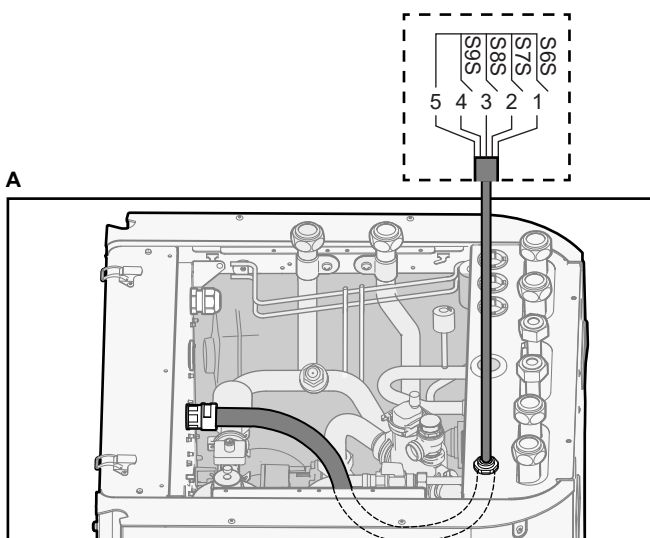
1	Top panel
2	User interface panel
3	Upper switch box cover



2 Connect the power consumption digital inputs cable to the appropriate terminals as shown in the illustration below.



## 6 Electrical installation



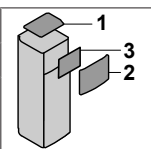
a Installation of EKRPA1AHTA is required.

- Fix the cable with cable ties to the cable tie mountings.

### 6.3.10 To connect the safety thermostat (normally closed contact)

- Open the following (see "4.2.1 To open the indoor unit" [p 5]):

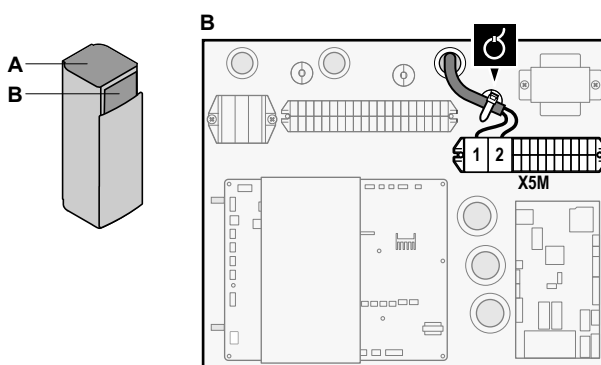
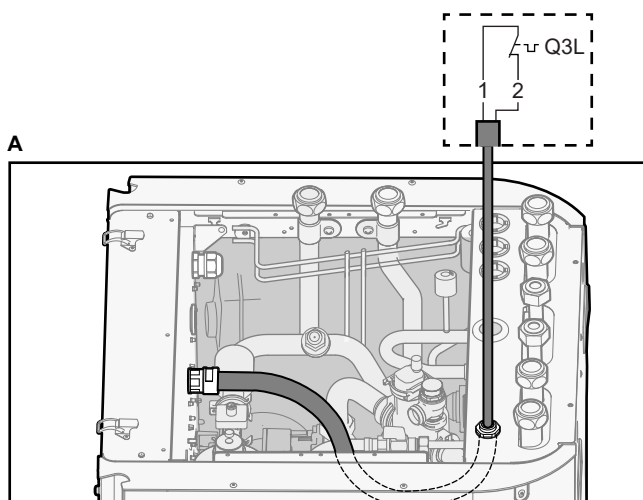
- |   |                        |
|---|------------------------|
| 1 | Top panel              |
| 2 | User interface panel   |
| 3 | Upper switch box cover |



#### Main zone

	Wires: 2×0.75 mm <sup>2</sup>
	—

- Connect the safety thermostat (normally closed) cable to the appropriate terminals as shown in the illustration below.



- Fix the cable with cable ties to the cable tie mountings.



#### INFORMATION

Installation of a safety thermostat (field supply) is required for the main zone, otherwise the unit will NOT operate.



#### NOTICE

A safety thermostat MUST be installed on the main zone to avoid too high water temperatures in this zone. The safety thermostat is typically a thermostatically controlled valve with a normally closed contact. When the water temperature in the main zone is too high, the contact will open and the user interface will show a 8H-02 error. ONLY the main pump will stop.

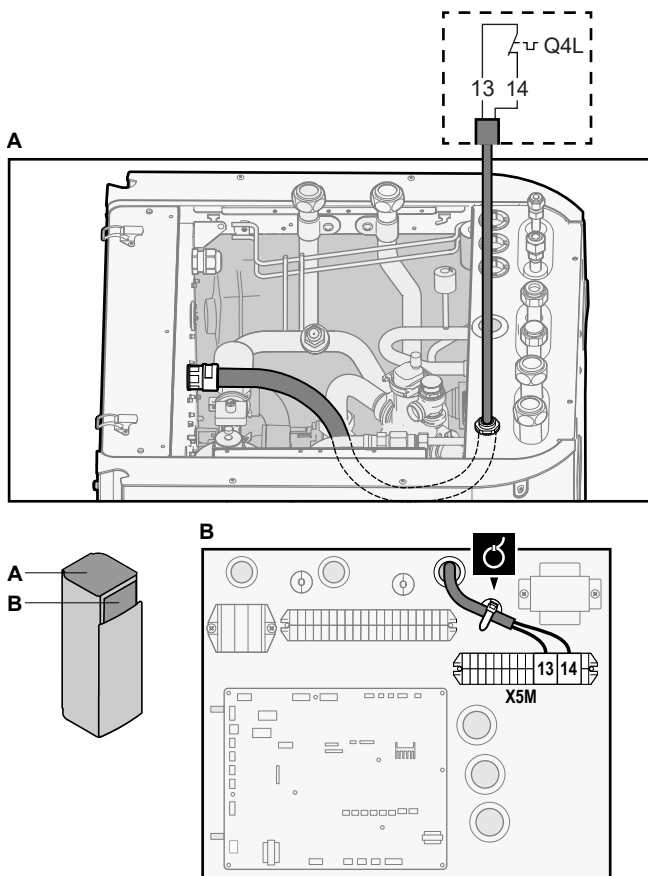
#### Additional zone

	Wires: 2×0.75 mm <sup>2</sup>
	Maximum length: 50 m
	Safety thermostat contact: 16 V DC detection (voltage supplied by PCB). The voltage-free contact shall ensure the minimum applicable load of 15 V DC, 10 mA.
	—

- Connect the safety thermostat (normally closed) cable to the appropriate terminals as shown in the illustration below.

**Note:** The jumper wire (factory-mounted) must be removed from the respective terminals.





5 Fix the cable with cable ties to the cable tie mountings.



### NOTICE

Make sure to select and install the safety thermostat for the additional zone according to the applicable legislation.

In any case, to prevent unnecessary tripping of the safety thermostat, we recommend the following:

- The safety thermostat is automatically resettable.
- The safety thermostat has a maximum temperature variation rate of 2°C/min.
- There is a minimum distance of 2 m between the safety thermostat and the 3-way valve.



### INFORMATION

ALWAYS configure the safety thermostat for the additional zone after it is installed. Without configuration, the indoor unit will ignore the safety thermostat contact.



### NOTICE

**Error.** If you remove the jumper (open circuit) but do NOT connect the safety thermostat, stop error 8H-03 will occur.

### 6.3.11 To connect a Smart Grid

This topic describes 2 possible ways to connect the indoor unit to a Smart Grid:

- In case of low voltage Smart Grid contacts
- In case of high voltage Smart Grid contacts. This requires the installation of the Smart Grid relay kit (EKRELSG).

The 2 incoming Smart Grid contacts can activate the following Smart Grid modes:

Smart Grid contact		Smart Grid operation mode
1	2	
0	0	Free running
0	1	Forced off
1	0	Recommended on
1	1	Forced on

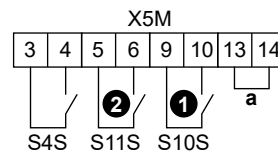
The use of a Smart Grid pulse meter is not mandatory:

If Smart Grid pulse meter is...	Then [9.8.8] Limit setting kW is...
Used ([9.A.2] Electricity meter 2 ≠ None)	Not applicable
Not used ([9.A.2] Electricity meter 2 = None)	Applicable

### In case of low voltage Smart Grid contacts

	Wires (Smart Grid pulse meter): 0.5 mm <sup>2</sup>
	Wires (low voltage Smart Grid contacts): 0.5 mm <sup>2</sup>
	[9.8.4]=3 (Benefit kWh power supply = Smart Grid)
	[9.8.5] Smart Grid operation mode
	[9.8.6] Allow electrical heaters
	[9.8.7] Enable room buffering
	[9.8.8] Limit setting kW

The wiring of the Smart Grid in case of low voltage contacts is as follows:



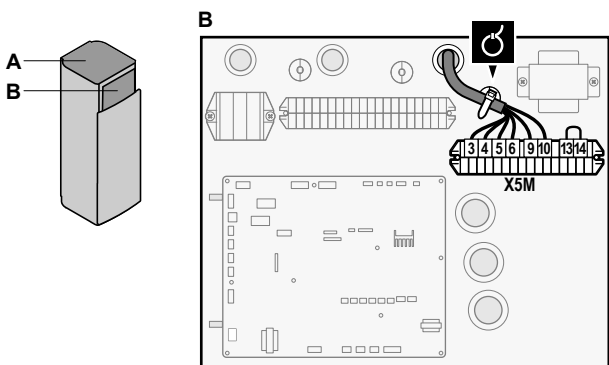
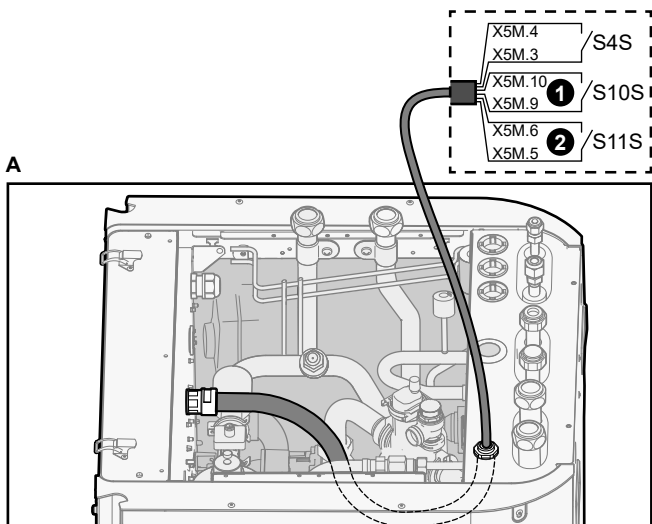
- a Jumper (factory-mounted). If you also connect a safety thermostat (Q4L), replace the jumper with the safety thermostat wires.
- S4S Smart Grid pulse meter  
 1/S10S Low voltage Smart Grid contact 1  
 2/S11S Low voltage Smart Grid contact 2

1 Open the following (see "4.2.1 To open the indoor unit" ▶ 5):

1	Top panel	
2	User interface panel	
3	Upper switch box cover	

2 Connect the wiring as follows:

## 6 Electrical installation

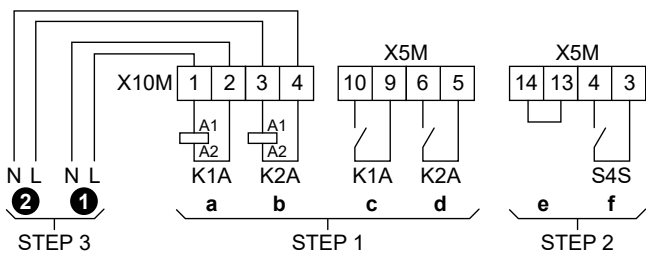


3 Fix the cables with cable ties to the cable tie mountings.

### In case of high voltage Smart Grid contacts

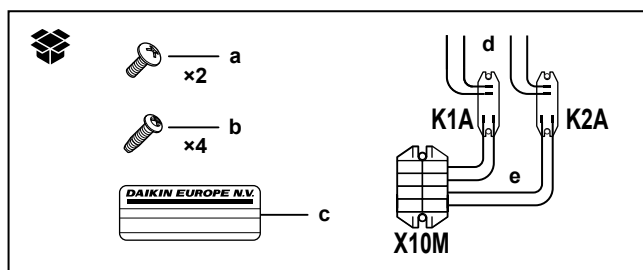
	Wires (Smart Grid pulse meter): 0.5 mm <sup>2</sup>
	Wires (high voltage Smart Grid contacts): 1 mm <sup>2</sup>
	[9.8.4]=3 (Benefit kWh power supply = Smart Grid)
	[9.8.5] Smart Grid operation mode
	[9.8.6] Allow electrical heaters
	[9.8.7] Enable room buffering
	[9.8.8] Limit setting kW

The wiring of the Smart Grid in case of high voltage contacts is as follows:

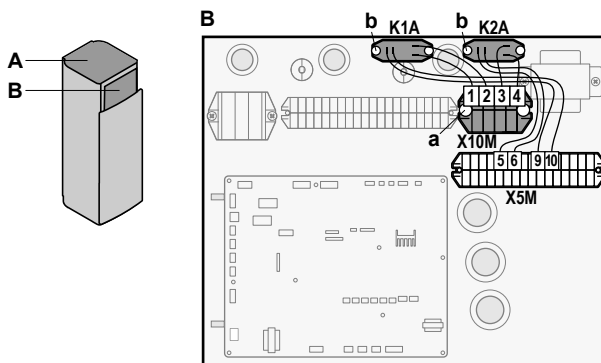


- STEP 1** Smart Grid relay kit installation  
**STEP 2** Low voltage connections  
**STEP 3** High voltage connections
- ① High voltage Smart Grid contact 1  
 ② High voltage Smart Grid contact 2
- a, b Coil sides of relays  
 c, d Contact sides of relays  
 e Jumper (factory-mounted). If you also connect a safety thermostat (Q4L), replace the jumper with the safety thermostat wires.  
 f Smart Grid pulse meter

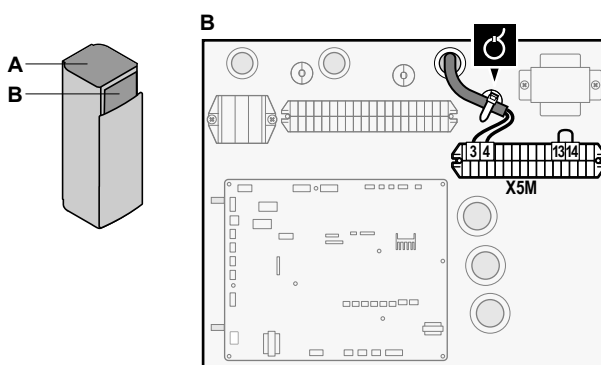
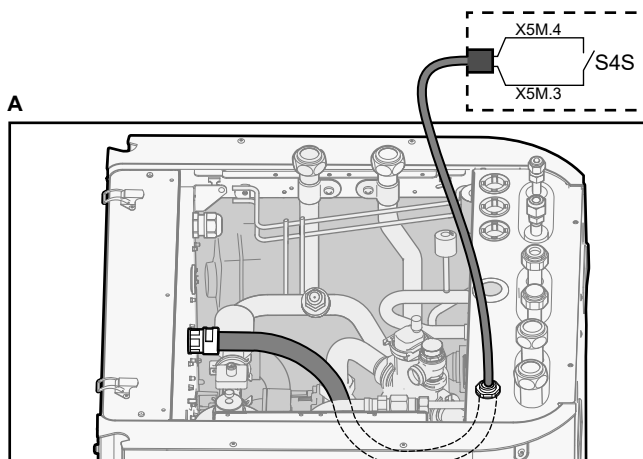
1 Install the components of the Smart Grid relay kit as follows:



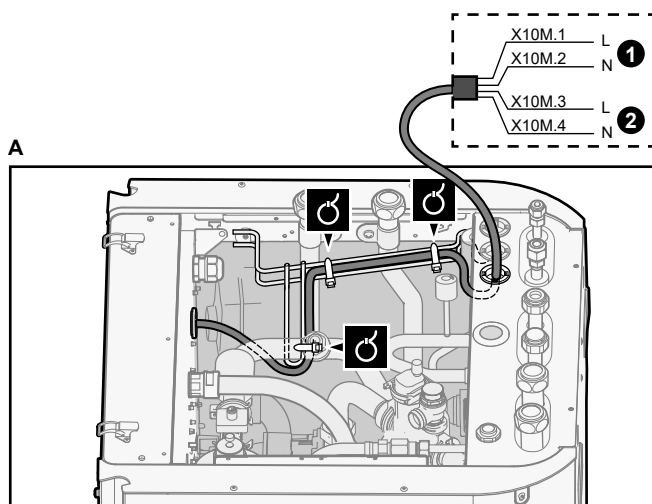
- K1A, K2A Relays  
 X10M Terminal block  
 a Screws for X10M  
 b Screws for K1A and K2A  
 c Sticker to put on the high voltage wires  
 d Wires between the relays and X5M (AWG22 ORG)  
 e Wires between the relays and X10M (AWG18 RED)



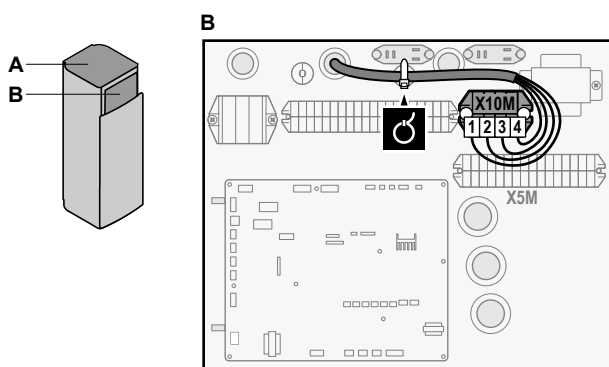
2 Connect the low voltage wiring as follows:



3 Connect the high voltage wiring as follows:



- ① High voltage Smart Grid contact 1
- ② High voltage Smart Grid contact 2

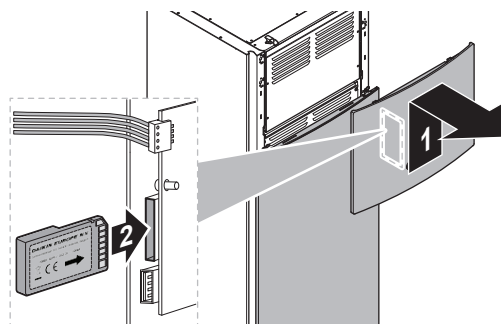


4 Fix the cables with cable ties to the cable tie mountings. If necessary, bundle excessive cable length with a cable tie.

### 6.3.12 To connect the WLAN cartridge (delivered as accessory)

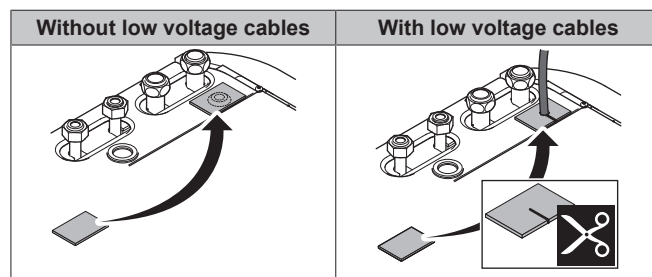


1 Insert the WLAN cartridge into the cartridge slot on the user interface of the indoor unit.



### 6.4 After connecting the electrical wiring to the indoor unit

To prevent water ingress to the switch box, seal the low voltage wiring intake using the sealing tape (delivered as accessory).



## 7 Configuration

### **i** INFORMATION

This unit is a heating only model. Therefore, all references to cooling in this document are NOT applicable.

### 7.1 Overview: Configuration

This chapter describes what you have to do and know to configure the system after it is installed.

### **!** NOTICE

This chapter explains only the basic configuration. For more detailed explanation and background information, see the installer reference guide.

#### Why

If you do NOT configure the system correctly, it might NOT work as expected. The configuration influences the following:

- The calculations of the software
- What you can see on and do with the user interface

#### How

You can configure the system via the user interface.

- **First time – Configuration wizard.** When you turn ON the user interface for the first time (via the unit), the configuration wizard starts to help you configure the system.
- **Restart the configuration wizard.** If the system is already configured, you can restart the configuration wizard. To restart the configuration wizard, go to **Installer settings > Configuration wizard**. To access **Installer settings**, see **"7.1.1 To access the most used commands"** [p 22].
- **Afterwards.** If necessary, you can make changes to the configuration in the menu structure or the overview settings.

### **i** INFORMATION

When the configuration wizard is finished, the user interface will show an overview screen and request to confirm. When confirmed, the system will restart and the home screen will be displayed.

#### Accessing settings – Legend for tables

You can access the installer settings using two different methods. However, NOT all settings are accessible via both methods. If so, the corresponding table columns in this chapter are set to N/A (not applicable).

Method	Column in tables
Accessing settings via the breadcrumb in the <b>home menu screen</b> or the <b>menu structure</b> . To enable breadcrumbs, press the <b>?</b> button in the home screen.	<b>#</b> For example: [2.9]
Accessing settings via the code in the <b>overview field settings</b> .	<b>Code</b> For example: [C-07]

See also:


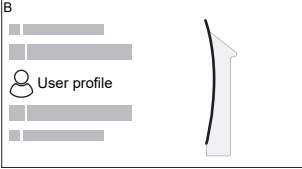
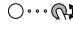


## 7 Configuration

- "To access the installer settings" ▶ 22]
- "7.5 Menu structure: Overview installer settings" ▶ 30]

### 7.1.1 To access the most used commands

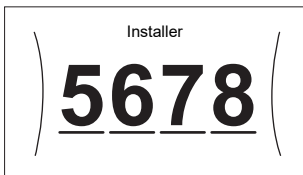
#### To change the user permission level

You can change the user permission level as follows:

1	Go to [B]: User profile.	
		
2	Enter the applicable pin code for the user permission level.	—
	<ul style="list-style-type: none"> <li>▪ Browse through the list of digits and change the selected digit.</li> </ul>	
	<ul style="list-style-type: none"> <li>▪ Move the cursor from left to right.</li> </ul>	
	<ul style="list-style-type: none"> <li>▪ Confirm the pin code and proceed.</li> </ul>	

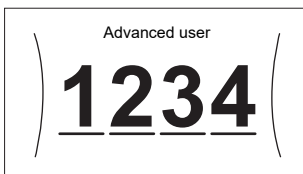
#### Installer pin code

The Installer pin code is **5678**. Additional menu items and installer settings are now available.



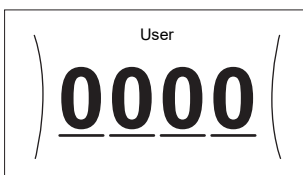
#### Advanced user pin code

The Advanced user pin code is **1234**. Additional menu items for the user are now visible.



#### User pin code

The User pin code is **0000**.



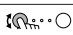
#### To access the installer settings


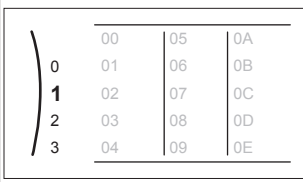
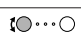
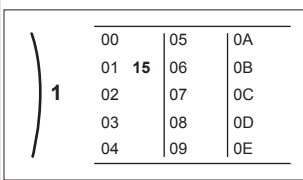

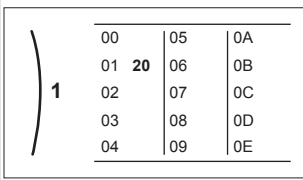


- 1 Set the user permission level to Installer.
- 2 Go to [9]: Installer settings.

#### To modify an overview setting

**Example:** Modify [1-01] from 15 to 20.

Most settings can be configured via the menu structure. If for any reason it is required to change a setting using the overview settings, then the overview settings can be accessed as follows:

1	Set the user permission level to Installer. See " <a href="#">To change the user permission level</a> " ▶ 22].	—
2	Go to [9.1]: Installer settings > Overview field settings.	

3	Turn the left dial to select the first part of the setting and confirm by pressing the dial.	
		
4	Turn the left dial to select the second part of the setting	
		
5	Turn the right dial to modify the value from 15 to 20.	
		
6	Press the left dial to confirm the new setting.	
7	Press the center button to go back to the home screen.	

#### INFORMATION

When you change the overview settings and you go back to the home screen, the user interface will show a popup screen and request to restart the system.

When confirmed, the system will restart and recent changes will be applied.

## 7.2 Configuration wizard

After first power ON of the system, the user interface starts a configuration wizard. Use this wizard to set the most important initial settings for the unit to run properly. If required, you can afterwards configure more settings. You can change all these settings via the menu structure.

#### Protective functions

The unit is equipped with the following protective functions:

- Room antifrost [2-06]
- Water pipe freeze prevention [4-04]
- Tank disinfection [2-01]

The unit automatically runs the protective functions when necessary. During installation or service, this behaviour is undesired. Therefore, the protective functions can be disabled. For more information, see the Installer reference guide, chapter Configuration.

#### 7.2.1 Configuration wizard: Language

#	Code	Description
[7.1]	N/A	Language

#### 7.2.2 Configuration wizard: Time and date

#	Code	Description
[7.2]	N/A	Set the local time and date

### **i** INFORMATION

By default, daylight savings time is enabled and clock format is set to 24 hours. If you want to change these settings, you can do this in the menu structure (User settings > Time/date) once the unit is initialised.

## 7.2.3 Configuration wizard: System

### Indoor unit type

The indoor unit type is displayed, but cannot be adjusted.

### Backup heater type

The backup heater is adapted to be connected to most common European electricity grids. The type of backup heater can be viewed but not changed.

#	Code	Description
[9.3.1]	[E-03]	<ul style="list-style-type: none"> <li>3: 6V</li> <li>4: 9W</li> </ul>

### Domestic hot water

The following setting determines if the system can prepare domestic hot water or not, and which tank is used. This setting is read only.

#	Code	Description
[9.2.1]	[E-05] <sup>(a)</sup>	Integrated
	[E-06] <sup>(a)</sup>	The backup heater will also be used for domestic hot water heating.
	[E-07] <sup>(a)</sup>	

- <sup>(a)</sup> Use the menu structure instead of the overview settings. Menu structure setting [9.2.1] replaces the following 3 overview settings:
- [E-05]: Can the system prepare domestic hot water?
  - [E-06]: Is a domestic hot water tank installed in the system?
  - [E-07]: What kind of domestic hot water tank is installed?

### Emergency

When the heat pump fails to operate, the backup heater can serve as an emergency heater. It then takes over the heat load either automatically or by manual interaction.

- When Emergency is set to Automatic and a heat pump failure occurs, the backup heater automatically takes over the domestic hot water production and space heating.
- When Emergency is set to Manual and a heat pump failure occurs, the domestic hot water heating and space heating stops.

To manually recover it via the user interface, go to the Malfunctioning main menu screen and confirm whether the backup heater can take over the heat load or not.

- Alternatively, when Emergency is set to:
  - auto SH reduced/DHW on, space heating is reduced but domestic hot water is still available.
  - auto SH reduced/DHW off, space heating is reduced and domestic hot water is NOT available.
  - auto SH normal/DHW off, space heating operates as normally but domestic hot water is NOT available.

Similarly as in Manual mode, the unit can take the full load with the backup heater if the user activates this via the Malfunctioning main menu screen.

To keep energy consumption low, we recommend to set Emergency to auto SH reduced/DHW off if the house is unattended for longer periods.

#	Code	Description
[9.5.1]	[4-06]	<ul style="list-style-type: none"> <li>0: Manual</li> <li>1: Automatic</li> <li>2: auto SH reduced/DHW on</li> <li>3: auto SH reduced/DHW off</li> <li>4: auto SH normal/DHW off</li> </ul>

### **i** INFORMATION

The auto emergency setting can be set in the menu structure of the user interface only.

### **i** INFORMATION

If a heat pump failure occurs and Emergency is set to Manual, the room frost protection function, the underfloor heating screed dryout function, and the water pipe antifreeze function will remain active even if the user does NOT confirm emergency operation.

### Number of zones

The system can supply leaving water to up to 2 water temperature zones. During configuration, the number of water zones must be set.

#	Code	Description
[4.4]	[7-02]	<ul style="list-style-type: none"> <li>0: Single zone</li> </ul> <p>Only one leaving water temperature zone:</p> <p><b>a</b> Bypass <b>b</b> Main LWT zone</p>
[4.4]	[7-02]	<ul style="list-style-type: none"> <li>1: Dual zone</li> </ul> <p>Two leaving water temperature zones:</p> <p><b>a</b> Additional LWT zone: Highest temperature <b>b</b> Main LWT zone: Lowest temperature</p>

### **!** NOTICE

NOT configuring the system in the following way can cause damage to the heat emitters. If there are 2 zones, it is important that in heating:

- the zone with the lowest water temperature is configured as the main zone, and
- the zone with the highest water temperature is configured as the additional zone.

## 7 Configuration



### NOTICE

If there are 2 zones and the emitter types are wrongly configured, water of high temperature can be sent towards a low temperature emitter (underfloor heating). To avoid this:

- Install an aquastat/thermostatic valve to avoid too high temperatures towards a low temperature emitter.
- Make sure you set the emitter types for the main zone [2.7] and for the additional zone [3.7] correctly in accordance with the connected emitter.



### NOTICE

A differential pressure bypass valve can be integrated in the system. Keep in mind that this valve might not be shown on the illustrations.

### Glycol Filled system

This setting gives the installer the possibility to indicate whether the system is filled with glycol or water. This is important in case glycol is used to protect the water circuit against freezing. If NOT set correctly, the liquid in the piping can freeze.

#	Code	Description
N/A	[E-0D]	Glycol Filled system: Is the system filled with glycol? <ul style="list-style-type: none"> <li>▪ 0: No</li> <li>▪ 1: Yes</li> </ul>

### 7.2.4 Configuration wizard: Backup heater

The backup heater is adapted to be connected to most common European electricity grids. If the backup heater is available, the voltage, configuration and capacity must be set on the user interface.

The capacities for the different steps of the backup heater must be set for the energy metering and/or power consumption control feature to work properly. When measuring the resistance value of each heater, you can set the exact heater capacity and this will lead to more accurate energy data.

#### Backup heater type

The backup heater is adapted to be connected to most common European electricity grids. The type of backup heater can be viewed but not changed.

#	Code	Description
[9.3.1]	[E-03]	<ul style="list-style-type: none"> <li>▪ 3: 6V</li> <li>▪ 4: 9W</li> </ul>

#### Voltage

- For a 6V model, this can be set to:
  - 230V, 1ph
  - 230V, 3ph
- For a 9W model, this is fixed to 400V, 3ph.

#	Code	Description
[9.3.2]	[5-0D]	<ul style="list-style-type: none"> <li>▪ 0: 230V, 1ph</li> <li>▪ 1: 230V, 3ph</li> <li>▪ 2: 400V, 3ph</li> </ul>

#### Configuration

The backup heater can be configured in different ways. It can be chosen to have a 1-step only backup heater or a backup heater with 2 steps. If 2 steps, the capacity of the second step depends on this setting. It can also be chosen to have a higher capacity of the second step in emergency.

#	Code	Description
[9.3.3]	[4-0A]	<ul style="list-style-type: none"> <li>▪ 0: Relay 1</li> <li>▪ 1: Relay 1 / Relay 1+2</li> <li>▪ 2: Relay 1 / Relay 2</li> <li>▪ 3: Relay 1 / Relay 2 Emergency Relay 1+2</li> </ul>



#### INFORMATION

Settings [9.3.3] and [9.3.5] are linked. Changing one setting influences the other. If you change one, check if the other is still as expected.



#### INFORMATION

During normal operation, the capacity of the second step of the backup heater at nominal voltage is equal to [6-03]+[6-04].



#### INFORMATION

If [4-0A]=3 and emergency mode is active, the power usage of the backup heater is maximal and equal to 2×[6-03]+[6-04].



#### INFORMATION

Only for systems with integrated domestic hot water tank: If the storage temperature setpoint is higher than 50°C, Daikin recommends NOT to disable the backup heater second step because it will have a big impact on the required time for the unit to heat up the domestic hot water tank.

#### Capacity step 1

#	Code	Description
[9.3.4]	[6-03]	<ul style="list-style-type: none"> <li>▪ The capacity of the first step of the backup heater at nominal voltage.</li> </ul>

#### Additional capacity step 2

#	Code	Description
[9.3.5]	[6-04]	<ul style="list-style-type: none"> <li>▪ The capacity difference between the second and first step of the backup heater at nominal voltage. Nominal value depends on backup heater configuration.</li> </ul>

### 7.2.5 Configuration wizard: Main zone

The most important settings for the main leaving water zone can be set here.

#### Emitter type

Heating up or cooling down the main zone can take longer. This depends on:

- The water volume of the system
- The heater emitter type of the main zone

The setting Emitter type can compensate for a slow or a quick heating/cooling system during the heat up/cool down cycle. In room thermostat control, Emitter type influences the maximum modulation of the desired leaving water temperature, and the possibility for usage of the automatic cooling/heating changeover based on the indoor ambient temperature.

It is important to set Emitter type correctly and in accordance with your system layout. The target delta T for the main zone depends on it.



#	Code	Description
[2.7]	[2-0C]	<ul style="list-style-type: none"> <li>▪ 0: Underfloor heating</li> <li>▪ 1: Fancoil unit</li> <li>▪ 2: Radiator</li> </ul>

The setting of the emitter type has an influence on the space heating setpoint range and the target delta T in heating as follows:

Description	Space heating setpoint range	Target delta T in heating
0: Underfloor heating	Maximum 55°C	Variable
1: Fancoil unit	Maximum 55°C	Variable
2: Radiator	Maximum 70°C	Fixed 10°C

**NOTICE**

**Average emitter temperature** = Leaving water temperature – (Delta T)/2

This means that for a same leaving water temperature setpoint, the average emitter temperature of radiators is lower than that of underfloor heating because of a bigger delta T.

Example radiators:  $40 - 10 / 2 = 35^\circ\text{C}$

Example underfloor heating:  $40 - 5 / 2 = 37.5^\circ\text{C}$

To compensate, you can:

- Increase the weather-dependent curve desired temperatures [2.5].
- Enable leaving water temperature modulation and increase the maximum modulation [2.C].

**Control**

Define how the operation of the unit is controlled.

Control	In this control...
Leaving water	Unit operation is decided based on the leaving water temperature regardless the actual room temperature and/or heating or cooling demand of the room.
External room thermostat	Unit operation is decided by the external thermostat or equivalent (e.g. heat pump convector).
Room thermostat	Unit operation is decided based on the ambient temperature of the dedicated Human Comfort Interface (BRC1HHDA used as room thermostat).

#	Code	Description
[2.9]	[C-07]	<ul style="list-style-type: none"> <li>▪ 0: Leaving water</li> <li>▪ 1: External room thermostat</li> <li>▪ 2: Room thermostat</li> </ul>

**Setpoint mode**

Define the setpoint mode:

- Fixed: the desired leaving water temperature does not depend on the outdoor ambient temperature.
- In WD heating, fixed cooling mode, the desired leaving water temperature:
  - depends on the outdoor ambient temperature for heating
  - does NOT depend on the outdoor ambient temperature for cooling
- In Weather dependent mode, the desired leaving water temperature depends on the outdoor ambient temperature.

#	Code	Description
[2.4]	N/A	Setpoint mode: <ul style="list-style-type: none"> <li>▪ Fixed</li> <li>▪ WD heating, fixed cooling</li> <li>▪ Weather dependent</li> </ul>

When weather dependent operation is active, low outdoor temperatures will result in warmer water and vice versa. During weather dependent operation, the user can shift the water temperature up or down by a maximum of 10°C.

**Schedule**

Indicates if the desired leaving water temperature is according to a schedule. Influence of the LWT setpoint mode [2.4] is as follows:

- In Fixed LWT setpoint mode, the scheduled actions consist of desired leaving water temperatures, either preset or custom.
- In Weather dependent LWT setpoint mode, the scheduled actions consist of desired shift actions, either preset or custom.

#	Code	Description
[2.1]	N/A	<ul style="list-style-type: none"> <li>▪ 0: No</li> <li>▪ 1: Yes</li> </ul>

**7.2.6 Configuration wizard: Additional zone**

The most important settings for the additional leaving water zone can be set here.

**Emitter type**

For more info about this functionality, see ["7.2.5 Configuration wizard: Main zone" \[24\]](#).

#	Code	Description
[3.7]	[2-0D]	<ul style="list-style-type: none"> <li>▪ 0: Underfloor heating</li> <li>▪ 1: Fancoil unit</li> <li>▪ 2: Radiator</li> </ul>

**Control**

The control type is displayed here, but cannot be adjusted. It is determined by the control type of the main zone. For more info about the functionality, see ["7.2.5 Configuration wizard: Main zone" \[24\]](#).

#	Code	Description
[3.9]	N/A	<ul style="list-style-type: none"> <li>▪ 0: Leaving water if the control type of the main zone is Leaving water.</li> <li>▪ 1: External room thermostat if the control type of the main zone is External room thermostat or Room thermostat.</li> </ul>

**Setpoint mode**

For more info about this functionality, see ["7.2.5 Configuration wizard: Main zone" \[24\]](#).

#	Code	Description
[3.4]	N/A	<ul style="list-style-type: none"> <li>▪ 0: Fixed</li> <li>▪ 1: WD heating, fixed cooling</li> <li>▪ 2: Weather dependent</li> </ul>

If you choose WD heating, fixed cooling or Weather dependent, the next screen will be the detailed screen with weather-dependent curves. Also see ["7.3 Weather-dependent curve" \[26\]](#).

**Schedule**

Indicates if the desired leaving water temperature is according to a schedule. Also see ["7.2.5 Configuration wizard: Main zone" \[24\]](#).



## 7 Configuration

#	Code	Description
[3.1]	N/A	<ul style="list-style-type: none"> <li>0: No</li> <li>1: Yes</li> </ul>

### 7.2.7 Configuration wizard: Tank



#### INFORMATION

To make tank defrost possible, we recommend a minimum tank temperature of 35°C.

#### Heat up mode

The domestic hot water can be prepared in 3 different ways. They differ from each other by the way the desired tank temperature is set and how the unit acts upon it.

#	Code	Description
[5.6]	[6-0D]	Heat up mode: <ul style="list-style-type: none"> <li>0: Reheat only: Only reheat operation is allowed.</li> <li>1: Schedule + reheat: The domestic hot water tank is heated according to a schedule and between the scheduled heat up cycles, reheat operation is allowed.</li> <li>2: Schedule only: The domestic hot water tank can ONLY be heated according to a schedule.</li> </ul>

See the operation manual for more details.

#### Settings for Reheat only mode

During Reheat only mode, the tank setpoint can be set on the user interface. The maximum allowed temperature is determined by the following setting:

#	Code	Description
[5.8]	[6-0E]	Maximum: The maximum temperature that users can select for the domestic hot water. You can use this setting to limit the temperature at the hot water taps. The maximum temperature is NOT applicable during disinfection function. See disinfection function.

To set the heat pump ON hysteresis:

#	Code	Description
[5.9]	[6-00]	Heat pump ON hysteresis <ul style="list-style-type: none"> <li>2°C~40°C</li> </ul>

#### Settings for Schedule only mode and Schedule + reheat mode

##### Comfort setpoint

Only applicable when domestic hot water preparation is Schedule only or Schedule + reheat. When programming the schedule, you can make use of the comfort setpoint as a preset value. When you later want to change the storage setpoint, you only have to do it in one place.

The tank will heat up until the **storage comfort temperature** has been reached. It is the higher desired temperature when a storage comfort action is scheduled.

Additionally, a storage stop can be programmed. This feature puts a stop to tank heating even if the setpoint has NOT been reached. Only program a storage stop when tank heating is absolutely undesirable.

#	Code	Description
[5.2]	[6-0A]	Comfort setpoint: <ul style="list-style-type: none"> <li>30°C~[6-0E]°C</li> </ul>

##### Eco setpoint

The **storage economic temperature** denotes the lower desired tank temperature. It is the desired temperature when a storage economic action is scheduled (preferably during day).

#	Code	Description
[5.3]	[6-0B]	Eco setpoint: <ul style="list-style-type: none"> <li>30°C~min(50,[6-0E])°C</li> </ul>

##### Reheat setpoint

**Desired reheat tank temperature**, used:

- in Schedule + reheat mode, during reheat mode: the guaranteed minimum tank temperature is set by the Reheat setpoint minus the reheat hysteresis. If the tank temperature drops below this value, the tank is heated up.
- during storage comfort, to prioritize the domestic hot water preparation. When the tank temperature rises above this value, domestic hot water preparation and space heating/cooling are executed sequentially.

#	Code	Description
[5.4]	[6-0C]	Reheat setpoint: <ul style="list-style-type: none"> <li>30°C~min(50,[6-0E])°C</li> </ul>

##### Hysteresis (reheat hysteresis)

Applicable when domestic hot water preparation is scheduled +reheat. When the tank temperature drops below the reheat temperature minus the reheat hysteresis temperature, the tank heats up to the reheat temperature.

#	Code	Description
[5.A]	[6-08]	Reheat hysteresis <ul style="list-style-type: none"> <li>2°C~20°C</li> </ul>

## 7.3 Weather-dependent curve

### 7.3.1 What is a weather-dependent curve?

#### Weather-dependent operation

The unit operates 'weather-dependent' if the desired leaving water or tank temperature is determined automatically by the outdoor temperature. It therefore is connected to a temperature sensor on the North wall of the building. If the outdoor temperature drops or rises, the unit compensates instantly. Thus, the unit does not have to wait for feedback by the thermostat to increase or decrease the temperature of the leaving water or tank. Because it reacts more quickly, it prevents high rises and drops of the indoor temperature and water temperature at tap points.

#### Advantage

Weather-dependent operation reduces energy consumption.

#### Weather-dependent curve

To be able to compensate for differences in temperature, the unit relies on its weather-dependent curve. This curve defines how much the temperature of the tank or leaving water must be at different outdoor temperatures. Because the slope of the curve depends on local circumstances such as climate and the insulation of the building, the curve can be adjusted by an installer or user.

#### Types of weather-dependent curve

There are 2 types of weather-dependent curves:

- 2-points curve

- Slope-offset curve

Which type of curve you use to make adjustments, depends on your personal preference. See "7.3.4 Using weather-dependent curves" [p 28].

### Availability

The weather-dependent curve is available for:

- Main zone - Heating
- Main zone - Cooling
- Additional zone - Heating
- Additional zone - Cooling
- Tank (only available to installers)



### INFORMATION

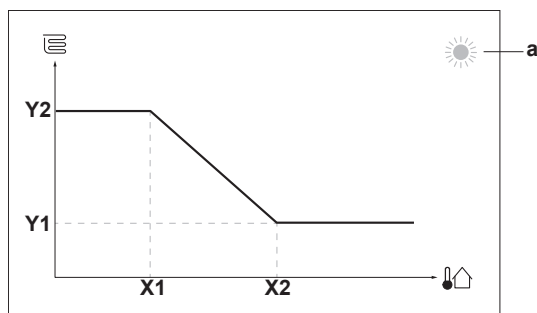
To operate weather-dependent, correctly configure the setpoint of the main zone, additional zone or tank. See "7.3.4 Using weather-dependent curves" [p 28].

## 7.3.2 2-points curve

Define the weather-dependent curve with these two setpoints:

- Setpoint (X1, Y2)
- Setpoint (X2, Y1)

### Example



Item	Description
<b>a</b>	Selected weather-dependent zone: <ul style="list-style-type: none"> <li>▪ ☀: Main zone or additional zone heating</li> <li>▪ ❄: Main zone or additional zone cooling</li> <li>▪ 🏠: Domestic hot water</li> </ul>
<b>X1, X2</b>	Examples of outdoor ambient temperature
<b>Y1, Y2</b>	Examples of desired tank temperature or leaving water temperature. The icon corresponds to the heat emitter for that zone: <ul style="list-style-type: none"> <li>▪ 🏠: Underfloor heating</li> <li>▪ 📄: Fan coil unit</li> <li>▪ 🏠: Radiator</li> <li>▪ 🏠: Domestic hot water tank</li> </ul>

### Possible actions on this screen

🔍⋯⋯○	Go through the temperatures.
○⋯⋯🔍	Change the temperature.
○⋯⋯🏠	Go to the next temperature.
🏠⋯⋯○	Confirm changes and proceed.

## 7.3.3 Slope-offset curve

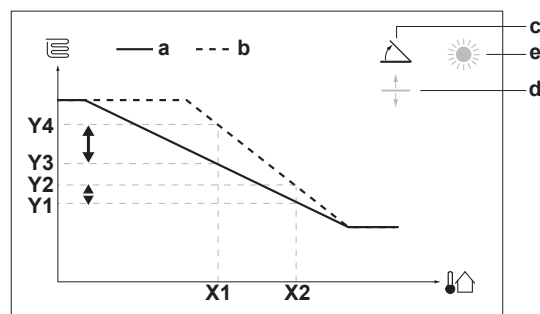
### Slope and offset

Define the weather-dependent curve by its slope and offset:

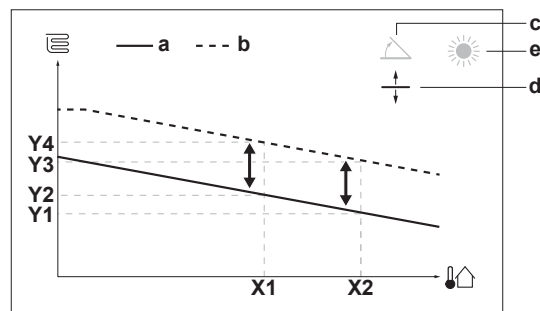
- Change the **slope** to differently increase or decrease the temperature of the leaving water for different ambient temperatures. For example, if leaving water temperature is in general fine but at low ambient temperatures too cold, raise the slope so that leaving water temperature is heated increasingly more at decreasingly lower ambient temperatures.
- Change the **offset** to equally increase or decrease the temperature of the leaving water for different ambient temperatures. For example, if leaving water temperature is always a bit too cold at different ambient temperatures, shift the offset up to equally increase the leaving water temperature for all ambient temperatures.

### Examples

Weather-dependent curve when slope is selected:



Weather-dependent curve when offset is selected:



Item	Description
<b>a</b>	WD curve before changes.
<b>b</b>	WD curve after changes (as example): <ul style="list-style-type: none"> <li>▪ When slope is changed, the new preferred temperature at X1 is unequally higher than the preferred temperature at X2.</li> <li>▪ When offset is changed, the new preferred temperature at X1 is equally higher as the preferred temperature at X2.</li> </ul>
<b>c</b>	Slope
<b>d</b>	Offset
<b>e</b>	Selected weather-dependent zone: <ul style="list-style-type: none"> <li>▪ ☀: Main zone or additional zone heating</li> <li>▪ ❄: Main zone or additional zone cooling</li> <li>▪ 🏠: Domestic hot water</li> </ul>
<b>X1, X2</b>	Examples of outdoor ambient temperature

## 7 Configuration

Item	Description
Y1, Y2, Y3, Y4	Examples of desired tank temperature or leaving water temperature. The icon corresponds to the heat emitter for that zone: <ul style="list-style-type: none"> <li>: Underfloor heating</li> <li>: Fan coil unit</li> <li>: Radiator</li> <li>: Domestic hot water tank</li> </ul>

Possible actions on this screen	
	Select slope or offset.
	Increase or decrease the slope/offset.
	When slope is selected: set slope and go to offset.
	When offset is selected: set offset.
	Confirm changes and return to the submenu.

### 7.3.4 Using weather-dependent curves

Configure weather-dependent curves as following:

#### To define the setpoint mode

To use the weather-dependent curve, you need to define the correct setpoint mode:

Go to setpoint mode ...	Set the setpoint mode to ...
<b>Main zone – Heating</b>	
[2.4] Main zone > Setpoint mode	WD heating, fixed cooling OR Weather dependent
<b>Main zone – Cooling</b>	
[2.4] Main zone > Setpoint mode	Weather dependent
<b>Additional zone – Heating</b>	
[3.4] Additional zone > Setpoint mode	WD heating, fixed cooling OR Weather dependent
<b>Additional zone – Cooling</b>	
[3.4] Additional zone > Setpoint mode	Weather dependent
<b>Tank</b>	
[5.B] Tank > Setpoint mode	<b>Restriction:</b> Only available to installers. Weather dependent

#### To change the type of weather-dependent curve

To change the type for all zones (main + additional) and for the tank, go to [2.E] Main zone > WD curve type.

Viewing which type is selected is also possible via:

- [3.C] Additional zone > WD curve type
- [5.E] Tank > WD curve type

**Restriction:** Only available to installers.

#### To change the weather-dependent curve

Zone	Go to ...
<b>Main zone – Heating</b>	[2.5] Main zone > Heating WD curve
<b>Main zone – Cooling</b>	[2.6] Main zone > Cooling WD curve
<b>Additional zone – Heating</b>	[3.5] Additional zone > Heating WD curve
<b>Additional zone – Cooling</b>	[3.6] Additional zone > Cooling WD curve

Zone	Go to ...
<b>Tank</b>	<b>Restriction:</b> Only available to installers. [5.C] Tank > WD curve



#### INFORMATION

##### Maximum and minimum setpoints

You cannot configure the curve with temperatures that are higher or lower than the set maximum and minimum setpoints for that zone or for the tank. When the maximum or minimum setpoint is reached, the curve flattens out.

#### To fine-tune the weather-dependent curve: slope-offset curve

The following table describes how to fine-tune the weather-dependent curve of a zone or tank:

You feel ...		Fine-tune with slope and offset:	
At regular outdoor temperatures ...	At cold outdoor temperatures ...	Slope	Offset
OK	Cold	↑	—
OK	Hot	↓	—
Cold	OK	↓	↑
Cold	Cold	—	↑
Cold	Hot	↓	↑
Hot	OK	↑	↓
Hot	Cold	↑	↓
Hot	Hot	—	↓

#### To fine-tune the weather-dependent curve: 2-points curve

The following table describes how to fine-tune the weather-dependent curve of a zone or tank:

You feel ...		Fine-tune with setpoints:			
At regular outdoor temperatures ...	At cold outdoor temperatures ...	Y2 <sup>(a)</sup>	Y1 <sup>(a)</sup>	X1 <sup>(a)</sup>	X2 <sup>(a)</sup>
OK	Cold	↑	—	↑	—
OK	Hot	↓	—	↓	—
Cold	OK	—	↑	—	↑
Cold	Cold	↑	↑	↑	↑
Cold	Hot	↓	↑	↓	↑
Hot	OK	—	↓	—	↓
Hot	Cold	↑	↓	↑	↓
Hot	Hot	↓	↓	↓	↓

<sup>(a)</sup> See "7.3.2 2-points curve" [p 27].

## 7.4 Settings menu

You can set additional settings using the main menu screen and its submenus. The most important settings are presented here.

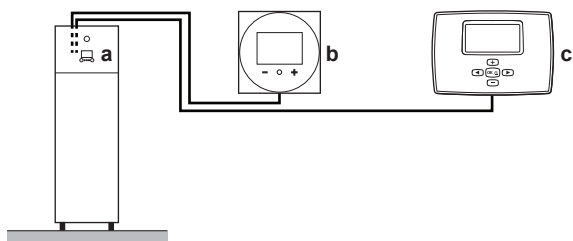
### 7.4.1 Main zone

#### Ext thermostat type

Only applicable in external room thermostat control.

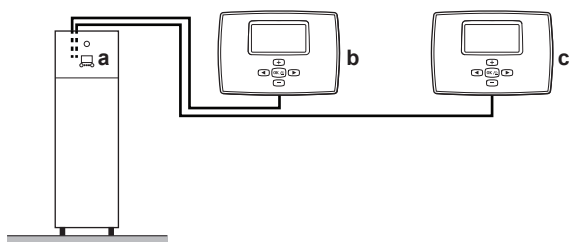
Following combinations are possible to control the unit (not applicable when [C-07]=0):

- [C-07]=2 (Room thermostat)



- a User interface at indoor unit
- b Dedicated Human Comfort Interface (BRC1HHDA used as room thermostat) at main zone
- c External room thermostat at additional zone

▪ [C-07]=1 (External room thermostat)



- a User interface at indoor unit
- b External room thermostat at main zone
- c External room thermostat at additional zone



#### NOTICE

If an external room thermostat is used, the external room thermostat will control the room frost protection. However, the room frost protection is only possible if [C.2] Space heating/cooling=0n.

#	Code	Description
[2.A]	[C-05]	External room thermostat type for the main zone: <ul style="list-style-type: none"> <li>▪ 1: 1 contact: The used external room thermostat can only send a thermo ON/OFF condition. There is no separation between heating or cooling demand.</li> <li>▪ 2: 2 contacts: The used external room thermostat can send a separate heating/cooling thermo ON/OFF condition.</li> </ul>

### 7.4.2 Additional zone

#### Ext thermostat type

Only applicable in external room thermostat control. For more info about the functionality, see "7.4.1 Main zone" [p 28].

#	Code	Description
[3.A]	[C-06]	External room thermostat type for the additional zone: <ul style="list-style-type: none"> <li>▪ 1: 1 contact</li> <li>▪ 2: 2 contacts</li> </ul>

### 7.4.3 Information

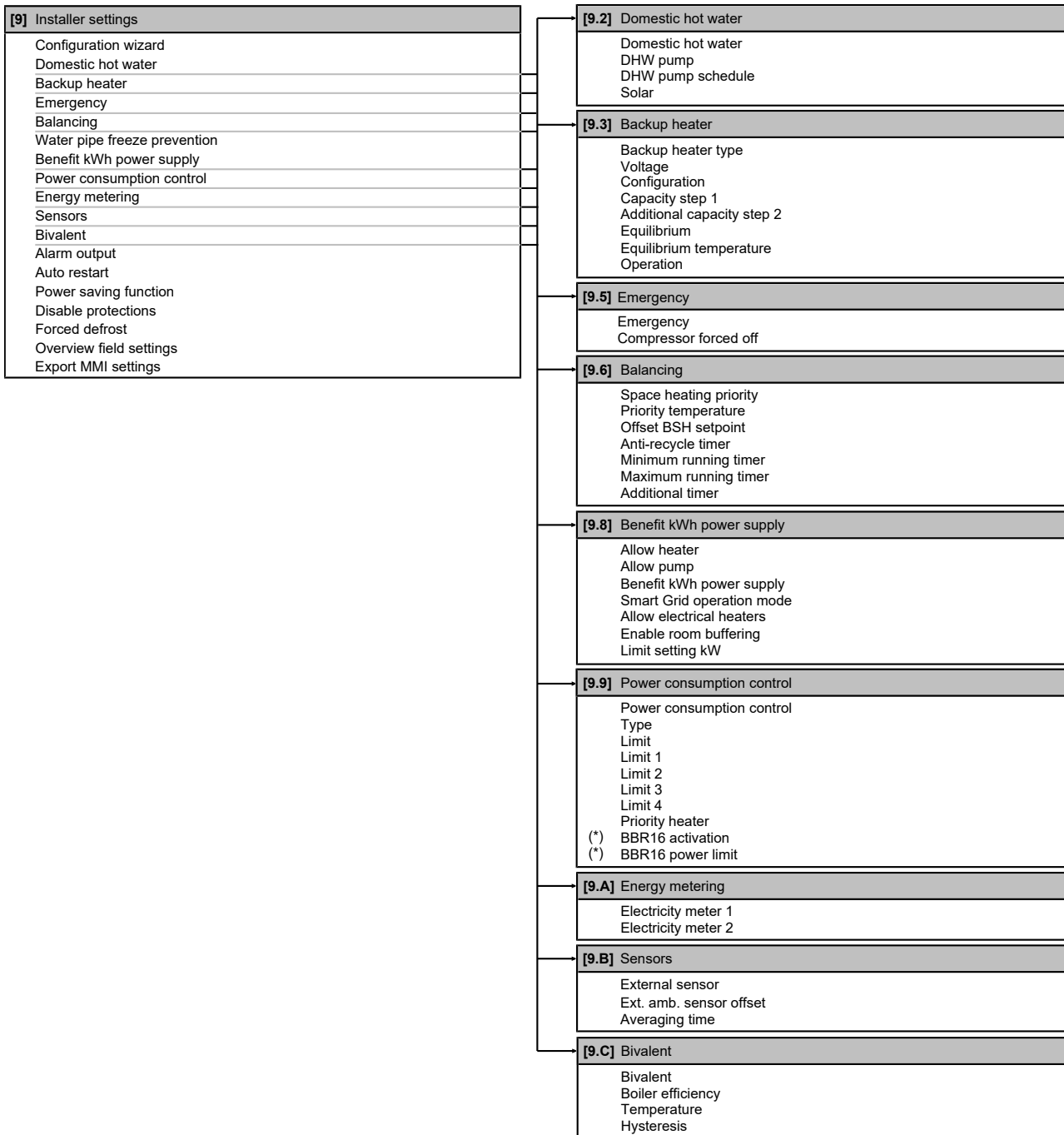
#### Dealer information

The installer can fill in his contact number here.

#	Code	Description
[8.3]	N/A	Number that users can call in case of problems.

## 7 Configuration

### 7.5 Menu structure: Overview installer settings



(\*) Only applicable in Swedish language.



#### INFORMATION

Solar kit settings are shown but are NOT applicable for this unit. Settings shall NOT be used or changed.



#### INFORMATION

Depending on the selected installer settings and unit type, settings will be visible/invisible.

## 8 Commissioning

### **i** INFORMATION

This unit is a heating only model. Therefore, all references to cooling in this document are NOT applicable.

### **!** NOTICE

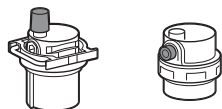
**General commissioning checklist.** Next to the commissioning instructions in this chapter, a general commissioning checklist is also available on the Daikin Business Portal (authentication required).

The general commissioning checklist is complementary to the instructions in this chapter and can be used as a guideline and reporting template during commissioning and hand-over to the user.

### **!** NOTICE

ALWAYS operate the unit with thermistors and/or pressure sensors/switches. If NOT, burning of the compressor might be the result.

### **!** NOTICE



Make sure both air purge valves (one on the magnetic filter and one on the backup heater) are open.

All automatic air purge valves MUST remain open after commissioning.

### **i** INFORMATION

**Protective functions – "Installer-on-site mode".** The software is equipped with protective functions, such as room antifrost. The unit automatically runs these functions when necessary.

During installation or service this behaviour is undesired. Therefore, the protective functions can be disabled:

- **At first power-on:** The protective functions are disabled by default. After 12 hours they will be automatically enabled.
- **Afterwards:** An installer can manually disable the protective functions by setting [9.G]: Disable protections=Yes. After his work is done, he can enable the protective functions by setting [9.G]: Disable protections=No.

Also see "[Protective functions](#)" [ 22].

### 8.1 Checklist before commissioning

- 1 After the installation of the unit, check the items listed below.
- 2 Close the unit.
- 3 Power up the unit.

<input type="checkbox"/>	You read the complete installation instructions, as described in the <b>installer reference guide</b> .
<input type="checkbox"/>	The <b>indoor unit</b> is properly mounted.
<input type="checkbox"/>	The <b>outdoor unit</b> is properly mounted.

<input type="checkbox"/>	The following <b>field wiring</b> has been carried out according to this document and the applicable legislation: <ul style="list-style-type: none"> <li>▪ Between the local supply panel and the outdoor unit</li> <li>▪ Between indoor unit and outdoor unit</li> <li>▪ Between the local supply panel and the indoor unit</li> <li>▪ Between the indoor unit and the valves (if applicable)</li> <li>▪ Between the indoor unit and the room thermostat (if applicable)</li> </ul>
<input type="checkbox"/>	The system is properly <b>earthed</b> and the earth terminals are tightened.
<input type="checkbox"/>	The <b>fuses</b> or locally installed protection devices are installed according to this document, and have NOT been bypassed.
<input type="checkbox"/>	The <b>power supply voltage</b> matches the voltage on the identification label of the unit.
<input type="checkbox"/>	There are NO <b>loose connections</b> or damaged electrical components in the switch box.
<input type="checkbox"/>	There are NO <b>damaged components</b> or <b>squeezed pipes</b> on the inside of the indoor and outdoor units.
<input type="checkbox"/>	<b>Backup heater circuit breaker</b> F1B (field supply) is turned ON.
<input type="checkbox"/>	The correct pipe size is installed and the <b>pipes</b> are properly insulated.
<input type="checkbox"/>	There is NO <b>water leak</b> inside the indoor unit.
<input type="checkbox"/>	The <b>shut-off valves</b> are properly installed and fully open.
<input type="checkbox"/>	The <b>automatic air purge</b> valves are open.
<input type="checkbox"/>	The following <b>field piping</b> on the cold water inlet of the DHW tank has been carried out according to this document and the applicable legislation: <ul style="list-style-type: none"> <li>▪ Non-return valve</li> <li>▪ Pressure reducing valve</li> <li>▪ Pressure relief valve (and it purges clean water when opened)</li> <li>▪ Tundish</li> <li>▪ Expansion vessel</li> </ul>
<input type="checkbox"/>	The <b>pressure relief valve</b> (space heating circuit) purges water when opened. Clean water MUST come out.
<input type="checkbox"/>	The <b>minimum water volume</b> is guaranteed in all conditions. See "To check the water volume and flow rate" in " <a href="#">5.1 Preparing water piping</a> " [ 7].
<input type="checkbox"/>	The <b>domestic hot water tank</b> is filled completely.

### 8.2 Checklist during commissioning

<input type="checkbox"/>	The <b>minimum flow rate</b> during backup heater/defrost operation is guaranteed in all conditions. See "To check the water volume and flow rate" in " <a href="#">5.1 Preparing water piping</a> " [ 7].
<input type="checkbox"/>	To perform an <b>air purge</b> .
<input type="checkbox"/>	To perform a <b>test run</b> .
<input type="checkbox"/>	To perform an <b>actuator test run</b> .
<input type="checkbox"/>	<b>Underfloor screed dryout function</b> The underfloor screed dryout function is started (if necessary).

## 8 Commissioning

### 8.2.1 To check the minimum flow rate

#### Mandatory procedure for the additional zone

1	Check the hydraulic configuration to find out which space heating loops can be closed by mechanical, electronic, or other valves.	—
2	Close all space heating loops that can be closed.	—
3	Start the pump test run (see "8.2.4 To perform an actuator test run" ▶ 32).	—
4	Read out the flow rate <sup>(a)</sup> and modify the bypass valve setting to reach the minimum required flow rate + 2 l/min.	—

<sup>(a)</sup> During pump test run, the unit can operate below the minimum required flow rate.

#### Recommended procedure for the main zone



#### INFORMATION

The pump of the additional zone ensures that the minimum flow rate for correct operation of the unit is guaranteed.

1	Check with the hydraulic configuration which space heating loops can be closed by mechanical, electronic, or other valves.	—
2	Close all space heating loops that can be closed (see previous step).	—
3	Create a thermo request on the main zone only.	—
4	Wait 1 minute until the unit is stabilized.	—
5	If the additional pump is still assisting (the green LED on the right hand sided pump is ON) increase the flow until the additional pump is not assisting anymore (LED is OFF).	—
6	Go to [8.4.A]: Information > Sensors > Flow rate.	
7	Read out the flow rate and modify the bypass valve setting to reach the minimum required flow rate + 2 l/min.	—

#### Minimum required flow rate

- For E models: 25 l/min
- For E7 models: 22 l/min

### 8.2.2 To perform an air purge

**Conditions:** Make sure all operation is disabled. Go to [C]: Operation and turn off Space heating/cooling and Tank operation.

1	Set the user permission level to Installer. See "To change the user permission level" ▶ 22.	—
2	Go to [A.3]: Commissioning > Air purge.	
3	Select OK to confirm.	
	<b>Result:</b> The air purge starts. It stops automatically when air purge cycle is finished.	
	To stop the air purge manually:	—
1	Go to Stop air purge.	
2	Select OK to confirm.	



#### INFORMATION

When air purging in automatic mode, the first air purge is always for the main zone, the second started air purge is always for the additional zone. To air purge the domestic hot water tank circuit, choose [A.3.1.5.2] Circuit=Tank at the start of the manual air purge of the main zone or additional zone.

### 8.2.3 To perform an operation test run



#### INFORMATION

The test run only applies to the additional temperature zone.

**Conditions:** Make sure all operation is disabled. Go to [C]: Operation and turn off Space heating/cooling and Tank operation.

1	Set the user permission level to Installer. See "To change the user permission level" ▶ 22.	—
2	Go to [A.1]: Commissioning > Operation test run.	
3	Select a test from the list. <b>Example:</b> Heating.	
4	Select OK to confirm.	
	<b>Result:</b> The test run starts. It stops automatically when ready (±30 min).	
	To stop the test run manually:	—
1	In the menu, go to Stop test run.	
2	Select OK to confirm.	



#### NOTICE

**Manual stop.** During the space heating test run the unit measures the temperature increase. If you manually stop the test run:

- **After 30 min from start**, the measurement will be successful.

- **Before 30 min from start**, the measurement might be unsuccessful.

If the measurement is successful, the logic to activate the backup heater will use a timeframe tuned to your system. If not, it will use the default timeframe (3 minutes).



#### INFORMATION

If the outdoor temperature is outside the range of operation, the unit may NOT operate or may NOT deliver the required capacity.

#### To monitor leaving water and tank temperatures

During test run, the correct operation of the unit can be checked by monitoring its leaving water temperature (heating/cooling mode) and tank temperature (domestic hot water mode).

To monitor the temperatures:

1	In the menu, go to Sensors.	
2	Select the temperature information.	

### 8.2.4 To perform an actuator test run

#### Purpose

Perform an actuator test run to confirm the operation of the different actuators. For example, when you select Pump, a test run of the pump will start.

**Conditions:** Make sure all operation is disabled. Go to [C]: Operation and turn off Space heating/cooling and Tank operation.

1	Set the user permission level to Installer. See "To change the user permission level" ▶ 22.	—
2	Go to [A.2]: Commissioning > Actuator test run.	
3	Select a test from the list. <b>Example:</b> Pump.	



4	Select OK to confirm. <b>Result:</b> The actuator test run starts. It stops automatically when ready ( $\pm 30$ min).	
	To stop the test run manually:	—
1	In the menu, go to Stop test run.	
2	Select OK to confirm.	

### Possible actuator test runs

- Backup heater 1 test
- Backup heater 2 test
- Pump test



#### INFORMATION

Make sure that all air is purged before executing the test run. Also avoid disturbances in the water circuit during the test run.

- Shut off valve test
- Diverter valve test (3-way valve for switching between space heating and tank heating)
- Bivalent signal test
- Alarm output test
- C/H signal test
- DHW pump test

### 8.2.5 To perform an underfloor heating screed dryout

**Conditions:** Make sure all operation is disabled. Go to [C]: Operation and turn off Space heating/cooling and Tank operation.

1	Set the user permission level to Installer. See " <a href="#">To change the user permission level</a> " [p. 22].	—
2	Go to [A.4]: Commissioning > UFH screed dryout.	
3	Set a dryout program: go to Program and use the UFH screed dryout programming screen.	
4	Select the zone where you want to perform the UFH screed dryout program: go to the Zone selection screen.	

## 10 Technical data



#### INFORMATION

This unit is a heating only model. Therefore, all references to cooling in this document are NOT applicable.

A **subset** of the latest technical data is available on the regional Daikin website (publicly accessible). The **full set** of latest technical data is available on the Daikin Business Portal (authentication required).

5	Select OK to confirm. <b>Result:</b> The underfloor heating screed dryout starts. It stops automatically when done.	
	To stop the test run manually:	—
1	Go to Stop UFH screed dryout.	
2	Select OK to confirm.	



#### NOTICE

To perform an underfloor heating screed dryout, room frost protection needs to be disabled ([2-06]=0). By default, it is enabled ([2-06]=1). However, due to the "installer-on-site" mode (see "Commissioning"), room frost protection will be automatically disabled for 12 hours after the first power-on.

If the screed dryout still needs to be performed after the first 12 hours of power-on, manually disable room frost protection by setting [2-06] to "0", and KEEP it disabled until the screed dryout has finished. Ignoring this notice will result in cracking of the screed.



#### NOTICE

For the underfloor heating screed dryout to be able to start, make sure the following settings are met:

- [4-00]=1
- [C-02]=0
- [D-01]=0
- [4-08]=0
- [4-01]≠1

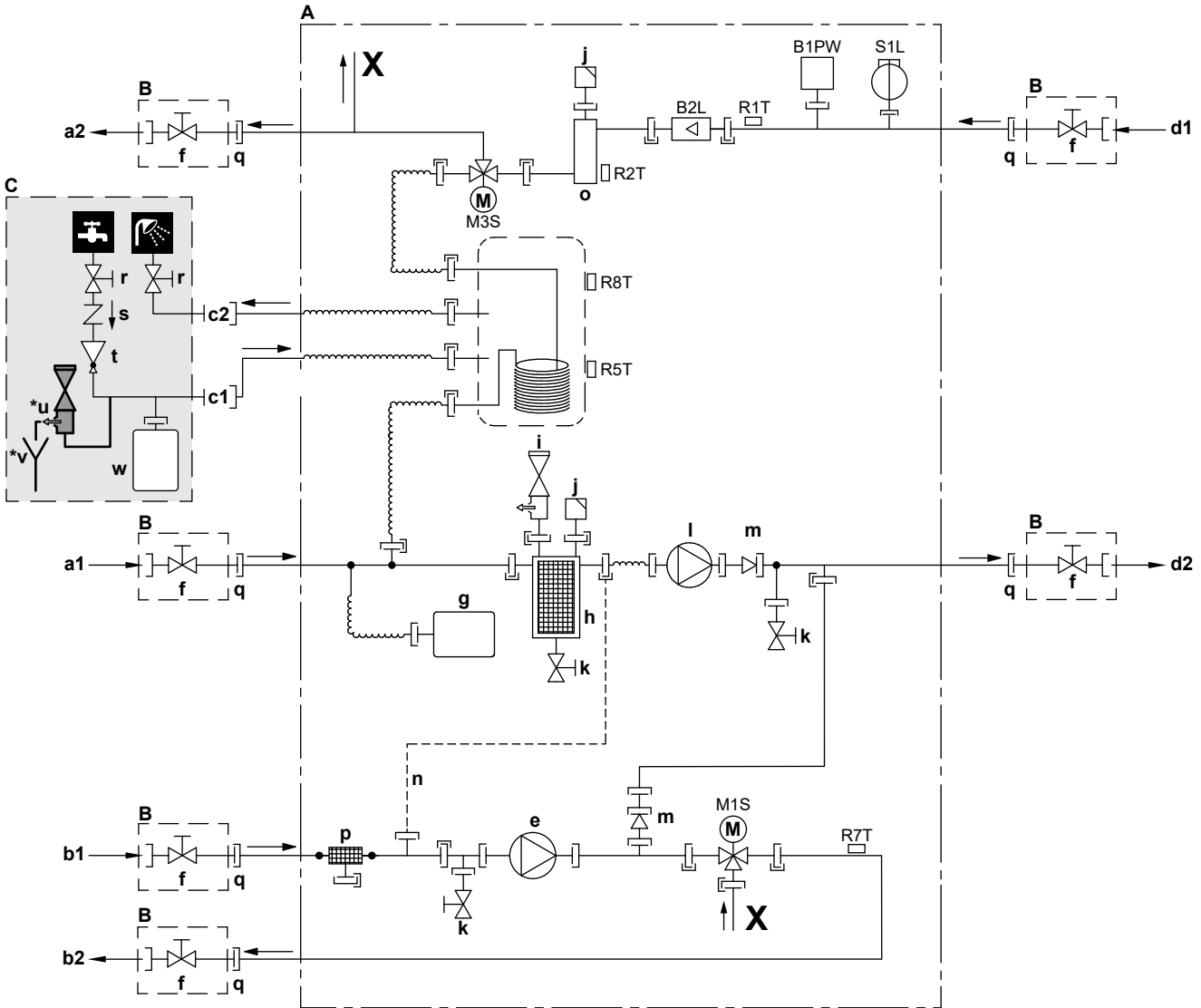
## 9 Hand-over to the user

Once the test run is finished and the unit operates properly, make sure the following is clear for the user:

- Fill in the installer setting table (in the operation manual) with the actual settings.
- Make sure that the user has the printed documentation and ask him/her to keep it for future reference. Inform the user that he can find the complete documentation at the URL mentioned earlier in this manual.
- Explain the user how to properly operate the system and what to do in case of problems.
- Show the user what to do for the maintenance of the unit.
- Explain the user about energy saving tips as described in the operation manual.

## 10 Technical data

### 10.1 Piping diagram: Indoor unit

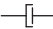

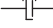



3D120612B

- A Indoor unit
- B Field installed (delivered with the unit)
- C Field supplied

- a1 Space heating additional/direct zone – Water IN (screw connection, 1")
- a2 Space heating additional/direct zone – Water OUT (screw connection, 1")
- b1 Space heating main/mixed zone – Water IN (screw connection, 1")
- b2 Space heating main/mixed zone – Water OUT (screw connection, 1")
- c1 DHW – Cold water IN (screw connection, 3/4")
- c2 DHW – Hot water OUT (screw connection, 3/4")
- d1 Water IN from outdoor unit (screw connection, 1")
- d2 Water OUT to outdoor unit (screw connection, 1")
- e Pump (main/mixed zone)
- f Shut-off valve, male-female 1"
- g Expansion vessel
- h Magnetic filter/dirt separator
- i Safety valve
- j Air purge
- k Drain valve
- l Pump (additional/direct zone)
- m Check valve
- n Capillary tube
- o Backup heater
- p Water filter (main/mixed zone)
- q Loose nut 1"
- r Shut-off valve (recommended)
- s Non-return valve (recommended)
- t Pressure reducing valve (recommended)
- \*u Pressure relief valve (max. 10 bar (=1.0 MPa))(mandatory)
- \*v Tundish (mandatory)
- w Expansion vessel (recommended)

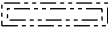



**B1PW** Space heating water pressure sensor

<b>B2L</b>	Flow sensor
<b>M1S</b>	3-way valve (mixing valve for the main/mixed zone)
<b>M3S</b>	3-way valve (space heating/domestic hot water)
<b>R1T</b>	Thermistor (water IN)
<b>R2T</b>	Thermistor (backup heater – water OUT)
<b>R5T, R8T</b>	Thermistor (tank)
<b>R7T</b>	Thermistor (main/mixed zone – water OUT)
<b>S1L</b>	Flow switch
	Screw connection
	Flare connection
	Quick coupling
	Brazed connection

## 10.2 Wiring diagram: Indoor unit

See the internal wiring diagram supplied with the unit (on the inside of the indoor unit switch box cover). The abbreviations used are listed below.

### Notes to go through before starting the unit

English	Translation
Notes to go through before starting the unit	Notes to go through before starting the unit
X1M	Main terminal
X2M	Field wiring terminal for AC
X5M	Field wiring terminal for DC
X6M	Backup heater power supply terminal
X10M	Smart Grid terminal
-----	Earth wiring
-----	Field supply
①	Several wiring possibilities
	Option
	Not mounted in switch box
	Wiring depending on model
	PCB
Note 1: Connection point of the power supply for the BUH should be foreseen outside the unit.	Note 1: Connection point of the power supply for the backup heater should be foreseen outside the unit.
<b>Backup heater power supply</b>	<b>Backup heater power supply</b>
<input type="checkbox"/> 6T1 (3~, 230 V, 6 kW)	<input type="checkbox"/> 6T1 (3~, 230 V, 6 kW)
<input type="checkbox"/> 6V3 (1N~, 230 V, 6 kW)	<input type="checkbox"/> 6V3 (1N~, 230 V, 6 kW)
<input type="checkbox"/> 6WN/9WN (3N~, 400 V, 6/9 kW)	<input type="checkbox"/> 6WN/9WN (3N~, 400 V, 6/9 kW)
<b>User installed options</b>	<b>User installed options</b>
<input type="checkbox"/> Remote user interface	<input type="checkbox"/> Dedicated Human Comfort Interface (BRC1HHDA used as room thermostat)
<input type="checkbox"/> Ext. indoor thermistor	<input type="checkbox"/> External indoor thermistor
<input type="checkbox"/> Ext outdoor thermistor	<input type="checkbox"/> External outdoor thermistor
<input type="checkbox"/> Digital I/O PCB	<input type="checkbox"/> Digital I/O PCB
<input type="checkbox"/> Demand PCB	<input type="checkbox"/> Demand PCB
<input type="checkbox"/> Safety thermostat	<input type="checkbox"/> Safety thermostat
<input type="checkbox"/> Smart Grid	<input type="checkbox"/> Smart Grid
<input type="checkbox"/> WLAN module	<input type="checkbox"/> WLAN module
<input type="checkbox"/> WLAN cartridge	<input type="checkbox"/> WLAN cartridge
<b>Main LWT</b>	<b>Main leaving water temperature</b>
<input type="checkbox"/> On/OFF thermostat (wired)	<input type="checkbox"/> ON/OFF thermostat (wired)
<input type="checkbox"/> On/OFF thermostat (wireless)	<input type="checkbox"/> ON/OFF thermostat (wireless)
<input type="checkbox"/> Ext. thermistor	<input type="checkbox"/> External thermistor
<input type="checkbox"/> Heat pump convector	<input type="checkbox"/> Heat pump convector

English	Translation
Add LWT	Additional leaving water temperature
<input type="checkbox"/> On/OFF thermostat (wired)	<input type="checkbox"/> ON/OFF thermostat (wired)
<input type="checkbox"/> On/OFF thermostat (wireless)	<input type="checkbox"/> ON/OFF thermostat (wireless)
<input type="checkbox"/> Ext. thermistor	<input type="checkbox"/> External thermistor
<input type="checkbox"/> Heat pump convector	<input type="checkbox"/> Heat pump convector

### Position in switch box

English	Translation
Position in switch box	Position in switch box

### Legend

A1P		Main PCB
A2P	*	ON/OFF thermostat (PC=power circuit)
A3P	*	Heat pump convector
A4P	*	Digital I/O PCB
A5P		Bizone PCB
A6P		Current loop PCB
A8P	*	Demand PCB
A11P		Main PCB of the MMI (= user interface of the indoor unit)
A14P	*	PCB of the dedicated Human Comfort Interface (BRC1HHDA used as room thermostat)
A15P	*	Receiver PCB (wireless ON/OFF thermostat)
A20P	*	WLAN module
CN* (A4P)	*	Connector
DS1 (A8P)	*	DIP switch
F1B	#	Overcurrent fuse backup heater
F1U, F2U (A4P)	*	Fuse 5 A 250 V for digital I/O PCB
K1A, K2A	*	High voltage Smart Grid relay
K1M, K2M		Contactora backup heater
K5M		Safety contactora backup heater
K6M		Relay 3-way valve bypass
K7M		Relay 3-way valve flow
K*R (A1P, A4P)		Relay on PCB
M2P	#	Domestic hot water pump
M2S	#	2-way valve for cooling mode
PC (A15P)	*	Power circuit
PHC1 (A4P)	*	Optocoupler input circuit
Q1L		Thermal protector backup heater
Q3L, Q4L	#	Safety thermostat

## 10 Technical data

Q*DI	#	Earth leakage circuit breaker
R1H (A2P)	*	Humidity sensor
R1T (A2P)	*	Ambient sensor ON/OFF thermostat
R2T (A2P)	*	External sensor (floor or ambient)
R6T	*	External indoor or outdoor ambient thermistor
S1S	#	Preferential kWh rate power supply contact
S2S	#	Electrical meter pulse input 1
S3S	#	Electrical meter pulse input 2
S4S	#	Smart Grid feed-in
S6S-S9S	*	Digital power limitation inputs
S10S-S11S	#	Low voltage Smart Grid contact
SS1 (A4P)	*	Selector switch
TR1		Power supply transformer
X6M	#	Backup heater power supply terminal strip
X10M	*	Smart Grid power supply terminal strip
X*, X*A, J*, X*H*, X*Y		Connector
X*M		Terminal strip

- \* Optional  
# Field supply

### Translation of text on wiring diagram

English	Translation
(1) Main power connection	(1) Main power connection
For HP tariff	For heat pump tariff
Indoor unit supplied from outdoor	Indoor unit supplied from outdoor
Normal kWh rate power supply	Normal kWh rate power supply
Only for normal power supply (standard)	Only for normal power supply (standard)
Only for preferential kWh rate power supply (outdoor)	Only for preferential kWh rate power supply (outdoor)
Outdoor unit	Outdoor unit
Preferential kWh rate power supply contact: 16 V DC detection (voltage supplied by PCB)	Preferential kWh rate power supply contact: 16 V DC detection (voltage supplied by PCB)
SWB	Switch box
Use normal kWh rate power supply for indoor unit	Use normal kWh rate power supply for indoor unit
(2) Backup heater power supply	(2) Backup heater power supply
Only for ***	Only for ***
(3) User interface	(3) User interface
Only for remote user interface	Only for the dedicated Human Comfort Interface (BRC1HHDA used as room thermostat)
SD card	Card slot for WLAN cartridge
SWB	Switch box
WLAN cartridge	WLAN cartridge
(5) Ext. thermistor	(5) External thermistor
SWB	Switch box
(6) Field supplied options	(6) Field supplied options
12 V DC pulse detection (voltage supplied by PCB)	12 V DC pulse detection (voltage supplied by PCB)
230 V AC Control Device	230 V AC Control Device
230 V AC supplied by PCB	230 V AC supplied by PCB
Continuous	Continuous current
DHW pump output	Domestic hot water pump output
DHW pump	Domestic hot water pump

English	Translation
Electrical meters	Electrical meters
For HV smartgrid	For high voltage Smart Grid
For LV smartgrid	For low voltage Smart Grid
For safety thermostat	For safety thermostat
For smartgrid	For Smart Grid
Inrush	Inrush current
Max. load	Maximum load
Normally closed	Normally closed
Normally open	Normally open
Safety thermostat	Safety thermostat
Safety thermostat contact: 16 V DC detection (voltage supplied by PCB)	Safety thermostat contact: 16 V DC detection (voltage supplied by PCB)
Shut-off valve	Shut-off valve
Smartgrid contacts	Smart Grid contacts
Smartgrid PV power pulse meter	Smart Grid photovoltaic power pulse meter
SWB	Switch box
(7) Option PCBs	(7) Option PCBs
Alarm output	Alarm output
Changeover to ext. heat source	Changeover to external heat source
Max. load	Maximum load
Min. load	Minimum load
Only for demand PCB option	Only for demand PCB option
Only for digital I/O PCB option	Only for digital I/O PCB option
Options: ext. heat source output, alarm output	Options: external heat source output, alarm output
Options: On/OFF output	Options: ON/OFF output
Power limitation digital inputs: 12 V DC / 12 mA detection (voltage supplied by PCB)	Power limitation digital inputs: 12 V DC / 12 mA detection (voltage supplied by PCB)
Space C/H On/OFF output	Space cooling/heating ON/OFF output
SWB	Switch box
(8) External On/OFF thermostats and heat pump convector	(8) External ON/OFF thermostats and heat pump convector
Additional LWT zone	Additional leaving water temperature zone
Main LWT zone	Main leaving water temperature zone
Only for external sensor (floor/ambient)	Only for external sensor (floor or ambient)
Only for heat pump convector	Only for heat pump convector
Only for wired On/OFF thermostat	Only for wired ON/OFF thermostat
Only for wireless On/OFF thermostat	Only for wireless ON/OFF thermostat









ERC



4P644730-1 E 0000000+

Copyright 2021 Daikin

**DAIKIN EUROPE N.V.**

Zandvoordestraat 300, B-8400 Oostende, Belgium

4P644730-1E 2023.10